

ASSEMBLY INSTRUCTIONS:

ATTACHING TRACK TO HEAVY DUTY HARDWARE

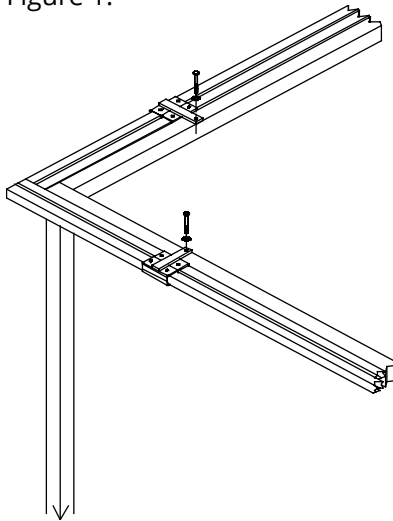
- Assemble Heavy Duty frame per instructions.

1 On the ground, slide roller track (16 RT) through connectors to designated locations. To make sliding roller track into connectors easier, squeeze ends of roller track together as you slide into the end of connector.

NOTE: A double track system is created by using two pieces of single track held together by a double track connector.

2 Lift the track assembly and attach the track connectors to cross beams, (nuts, bolts and washers provided) thru pre-drilled holes in cross beams (See figure 1)

Figure 1:



3 Attach track in similar manner on all sides as indicated on drawings.

4 After all acoustical panels have been installed and hardware adjusted as necessary, install end stops in all open ends of track to prevent rollers from running out of track