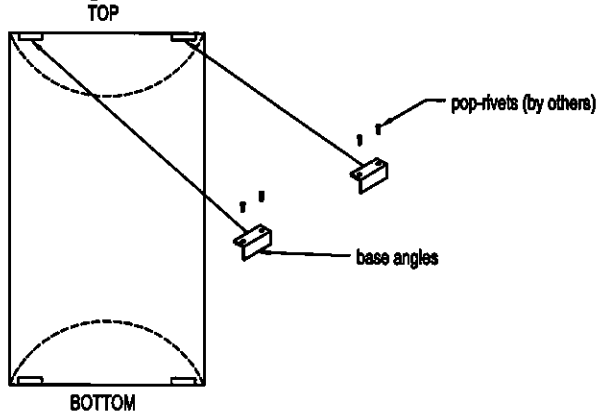


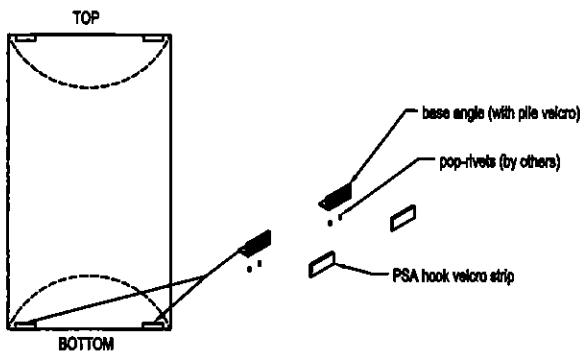
# DIFFUSER mounting detail

## VERTICAL ORIENTATION

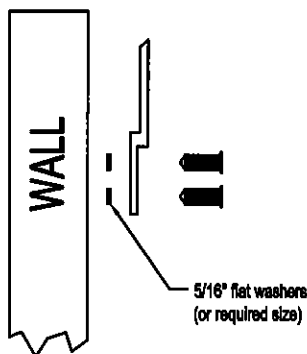
1. Attach the two 4" long base angles to the top of the diffuser from the Gel-coated side. Insert the white headed pop-rivets (by others) thru the pre-drilled holes in the base angles and diffuser.



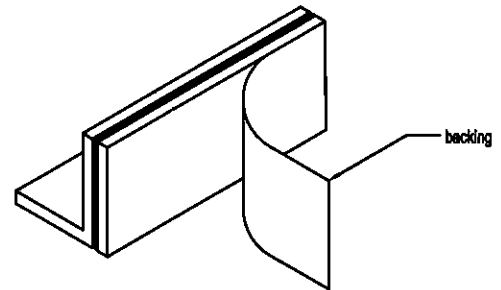
2. Attach the two 4" long base angles (with pile velcro & PSA hook) to the bottom of the diffuser from the Gel coated side. Insert the white headed pop-rivets (by others) thru the pre-drilled holes in the base angle and the diffuser.



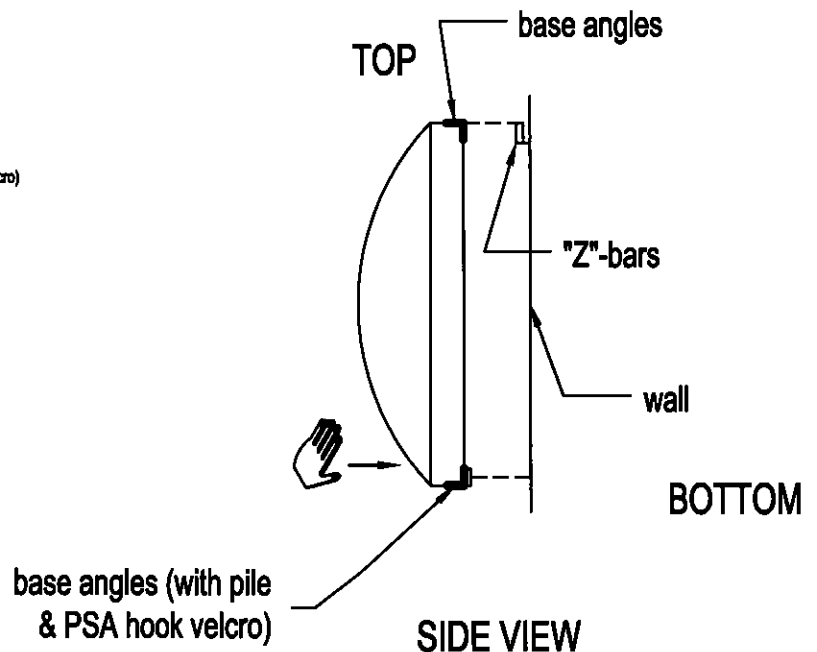
3. Secure the two 4" "Z"-bars and washers to the wall with 2 screws. Place 1 washer (by others) between the wall and "Z"-bar at each screw location.



4. Peel the paper backing off of the hook velcro



5. Attach the base angles to the "Z"-bars. Level and adjust as necessary. In the vicinity of the velcro push the diffuser firmly onto the wall.



Each vertical wall mount diffuser includes:

Two 4" long Base Angles

Two 4" long "Z"-bars

Two 4" long Base Angles (with pile velcro attached to angle)

Two mating 4" PSA hook velcro strip attached to pile