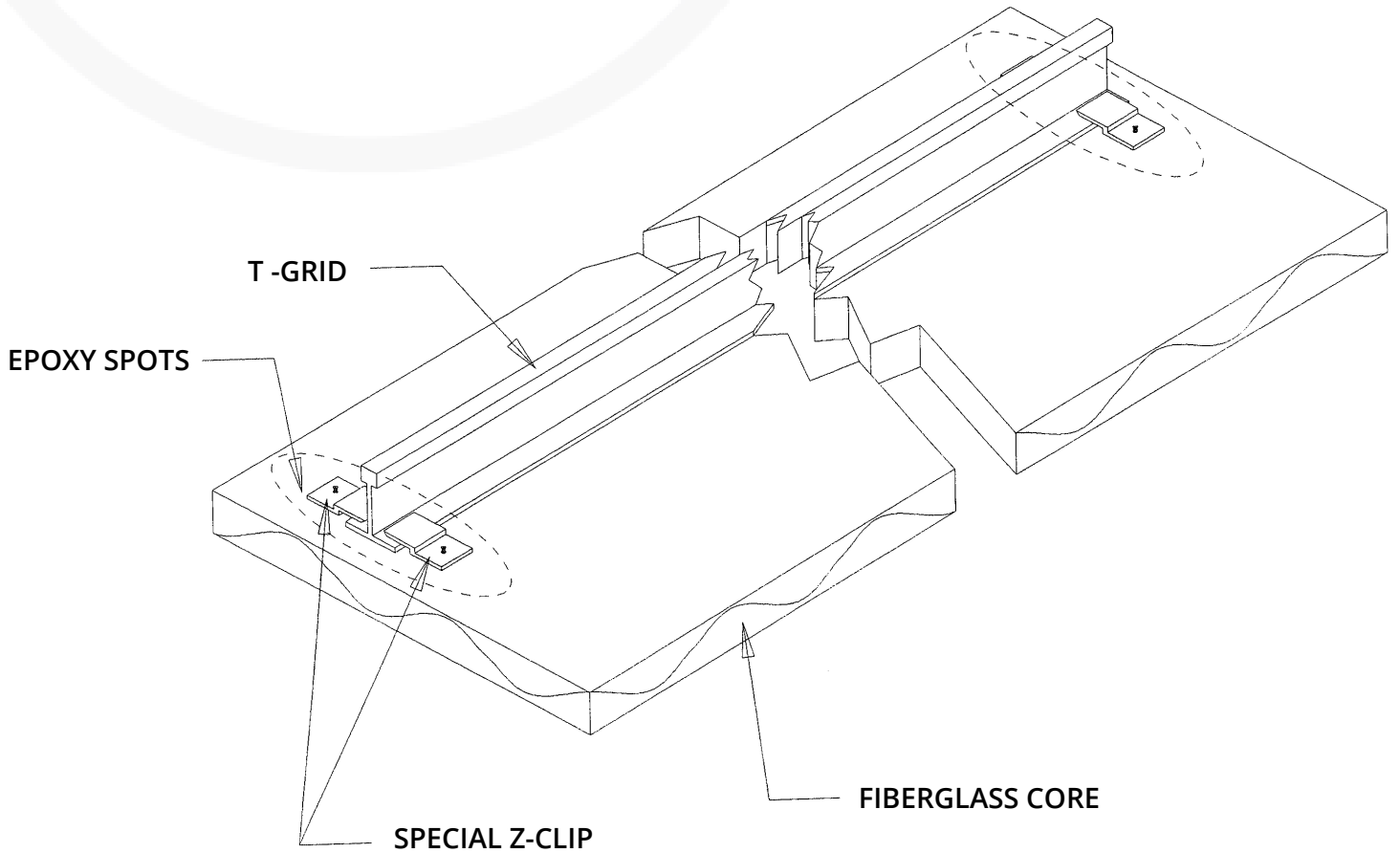


CEILING CLOUDS - T-GRID



**IN FIELD:
SCREW THROUGH T-GRID INTO EPOXY
(TO SECURE T-GRID TO PANEL).**