

Soundproofing Case Study

The Corolla Cantena Effectively Resolves Their Soundproofing Control Issue with Soundproofing Milti Purpose Baffles....

THE PROBLEM:

Certain areas of the Catena, were emitting to much noise.

All Noise Control suggested thay they use our superior Multi-Purpose Baffles- Installation of PVC covered sound baffls or reduce reverberation time on walls.

ANC-600 BAFFLES:

- ✓ ACOUSTICAL CEILING BAFFLES
- ✓ FINISH: PVC FILM
- ✓ COLOR: BLACK
- ✓ THICKNESS: 1.5"
- ✓ DENSITY: 1.6#
- ✓ EDGE DETAIL: NATURAL
- ✓ CONSTRUCTION: SEWN
- ✓ SUSPENSION: GROMMETS

TEST RESULTS:

With the soundproofing materials provided. All noise control managed to completely reduce the sound. This mate the enviroment more productive. and cost-effective.

We invite you to call All Noise Control at 561-964-9360 to discuss the noice control materials supplied to this particular environment and are just as happy to listen to your individual needs and supply you with a customized ALL Noise Control solution. You may also visit our page for more information at www.allnoisecontrol.com.

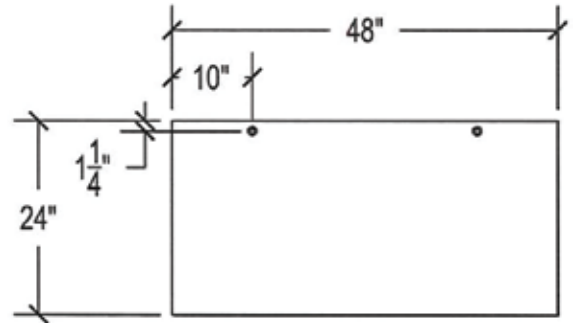
FINISH SCHEDULE
FINISH: BLACK POLYWARP
MATERIAL IS : <input type="checkbox"/> DIRECTIONAL <input checked="" type="checkbox"/> NON- DIRECTIONAL



GROMMET THROUGH
THE BAFFLE

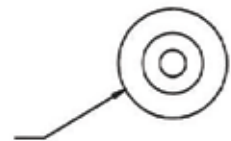
FACING

SR-100 COMPOSITE



QTY: 1
TAG: A

MATERIAL SPECS:	
MODEL #: SR-100	THICKNESS: 1 1/2"
CONSTRUCTION: NATURAL	EDGE DETAIL: SEWN / SEALED
CORE: 1.6 PCF	HARDWARE: COMPRESSION GROMMETS



NOTE: FACE SIDE OF PANEL IS SHOWN

PANELS INSTALL WITH WIDTH & LENGTH AS SHOWN

ALL NOICE CONTROL				
JAMES PICKREN				
PO#	SCALE	REV	DRAWN BY	DATE
82008-915	N.T.S	0	JP	02-25-13
DWG #	SIZE	SALESMAN		
A-11679 PR1	A	DG		