

Dynamic Testing Effectively Resolves Their Noise Control Issue...

THE PROBLEM:

DYNAMIC TESTING WAS EXPERIENCING SERIOUS NOISE ISSUES, AND CAME TO US TO PROVIDE A SOLUTION FOR (2) 4-SIDED ENCLOSURES.

THE OBJECTIVE WAS TO OUTLINE SOUNDPROOFING BLANKET MATERIAL TO TESTING ENCLOSURES, TO GIVE AN OVERALL STC RATING OF 29, WHICH WOULD REDUCE THE DB RATING BY 15-20 DECIBELS.

THE SOLUTION:

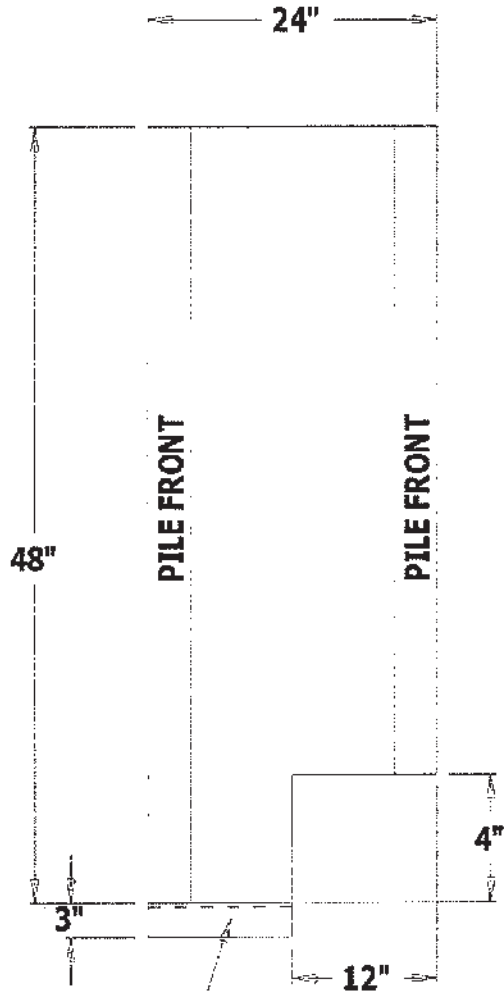
ALL NOISE CONTROL PROVIDED SOUND ADVICE WITH AN EASY TO INSTALL, INCREDIBLY EFFECTIVE MULTI SOUND-PROOFING MATERIAL SOLUTION: ANC-AB12 SOUNDPROOFING BLANKET MATERIAL FOR THE TWO 4-SIDED ENCLOSURES WITH ROOF PANELS. SOUNDPROOFING BLANKETS IMPROVES HIGHER STC AND DECIBELS RATINGS.

SOUNDPROOFING BLANKET MATERIAL IS 2" VINYL FACED QUILTED FIBERGLASS ON BOTH SIDES WITH 1# NON-REINFORCED BARRIER IN THE MIDDLE.

WITH THE SOUNDPROOFING MATERIALS PROVIDED, ALL NOISE CONTROL MANAGED TO COMPLETELY REDUCE THE SOUND FROM INSIDE THE ENCLOSURES. THIS MADE THE ENVIRONMENT MORE PRODUCTIVE, AND COST-EFFECTIVE.

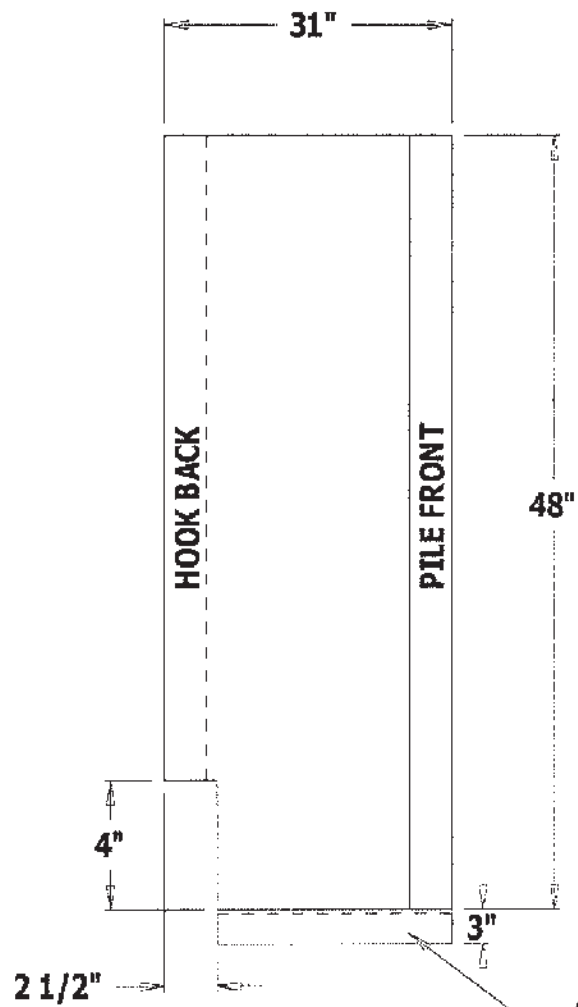
FOR MORE INFORMATION WE INVITE YOU TO CALL ALL NOISE CONTROL AT 561-964-9360 TO DISCUSS THE NOISE CONTROL MATERIALS SUPPLIED TO THIS PARTICULAR CORPORATE/ OFFICE ROOM/ WAREHOUSE ENVIRONMENT AND ARE JUST AS HAPPY TO LISTEN TO YOUR INDIVIDUAL NEEDS AND SUPPLY YOU WITH A CUSTOMIZED ALL NOISE CONTROL SOLUTION. YOU MAY ALSO VISIT OUR ANC-AB12 BLANKET PAGE FOR MORE INFORMATION AT WWW.ALLNOISECONTROL.COM.

UPPER FRONT



STRIP OF B-10 R

QTY: 2
TAG: A



QTY: 2
TAG: B

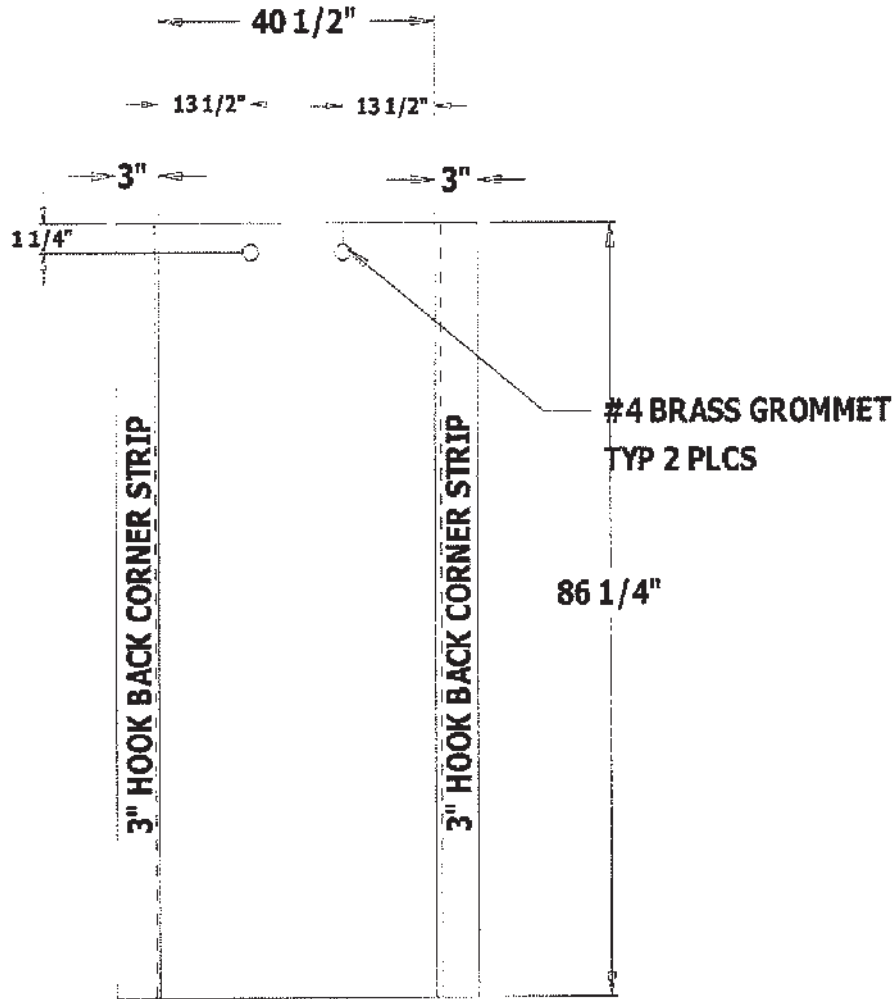
STRIP OF B-10 R

+/-1/4" TOLERANCE

ANC-AB12 GRAY

ALL NOISE CONTROL				
DYNAMIC TESTING & EQUIPMENT				
PANEL	PO# 82008-921	DWG# D16147PR1	REV# 0	
CONSTRUCTIN	DATE MARCH 12,2013	DRAWN BY A0	*CHANGES* MADE BY	MR

UPPER SIDE



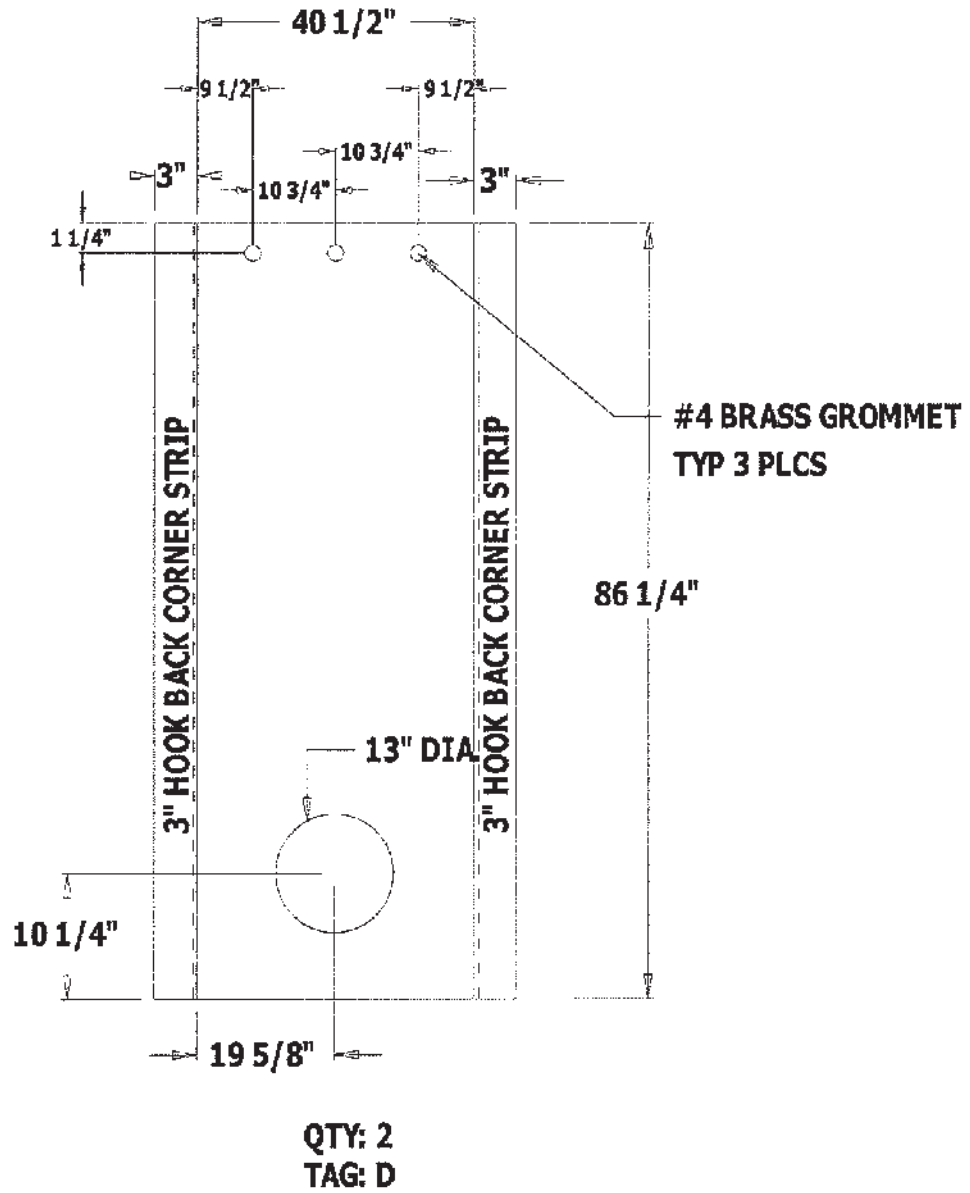
QTY: 2
TAG: C

+/-1/4" TOLERANCE

ANC-AB12 GRAY

ALL NOISE CONTROL				
DYNAMIC TESTING & EQUIPMENT				
PANEL	PO# 82008-921	DWG# D16147PR2	REV# 0	
CONSTRUCTIN	DATE MARCH 12,2013	DRAWN BY A0	*CHANGES* MADE BY	MR

UPPER SIDE

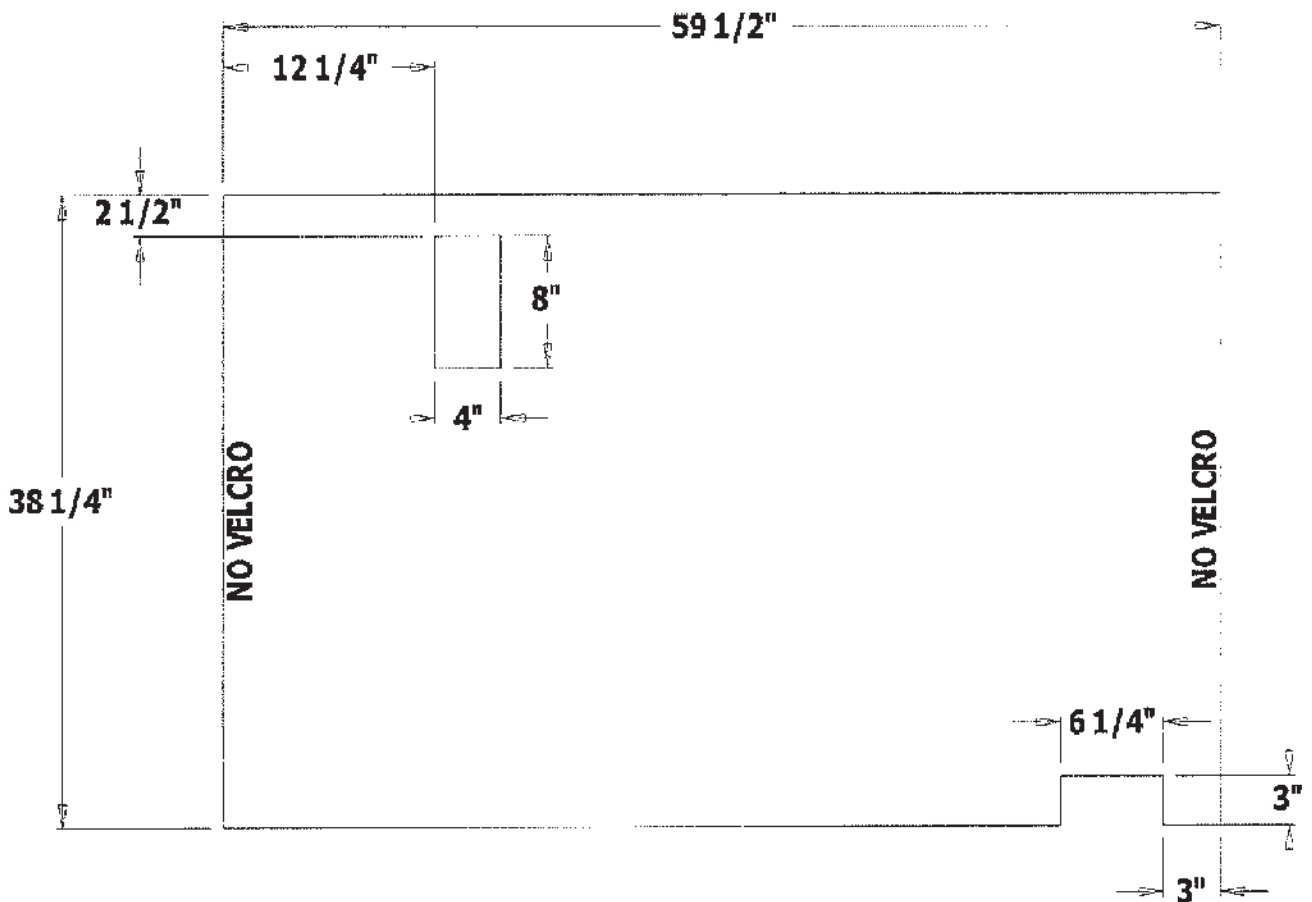


+/-1/4" TOLERANCE

ANC-AB12 GRAY

ALL NOISE CONTROL				
DYNAMIC TESTING & EQUIPMENT				
PANEL	PO#	DWG#	REV#	
	82008-921	D16147PR3	0	
CONSTRUCTIN	DATE	DRAWN BY	*CHANGES* MADE BY	MR
	MARCH 12,2013	A0		

LOWER FRONT



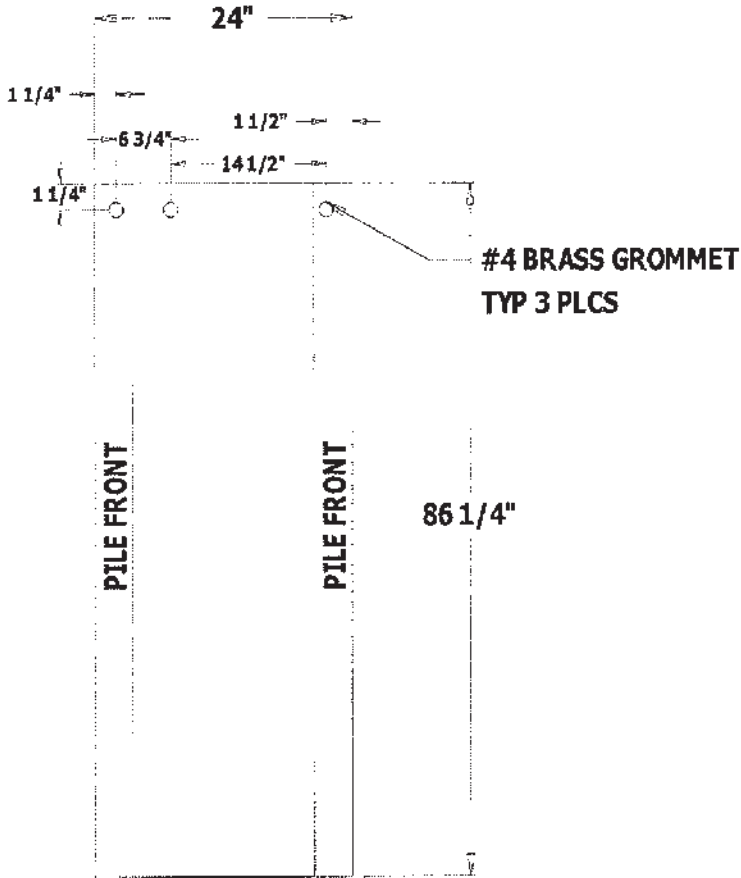
QTY: 2
 TAG: E

+/-1/4" TOLERANCE

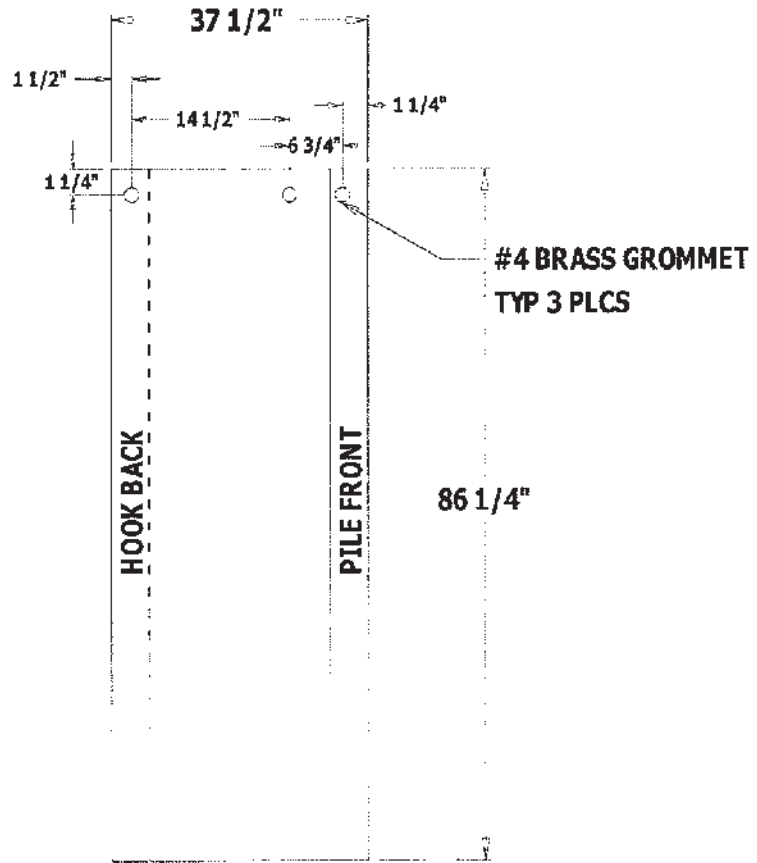
ANC-AB12 GRAY

ALL NOISE CONTROL				
DYNAMIC TESTING & EQUIPMENT				
PANEL	PO# 82008-921	DWG# D16147PR4	REV# 0	
CONSTRUCTIN	DATE MARCH 12,2013	DRAWN BY A0	*CHANGES* MADE BY	MR

REAR



QTY: 2
TAG: F



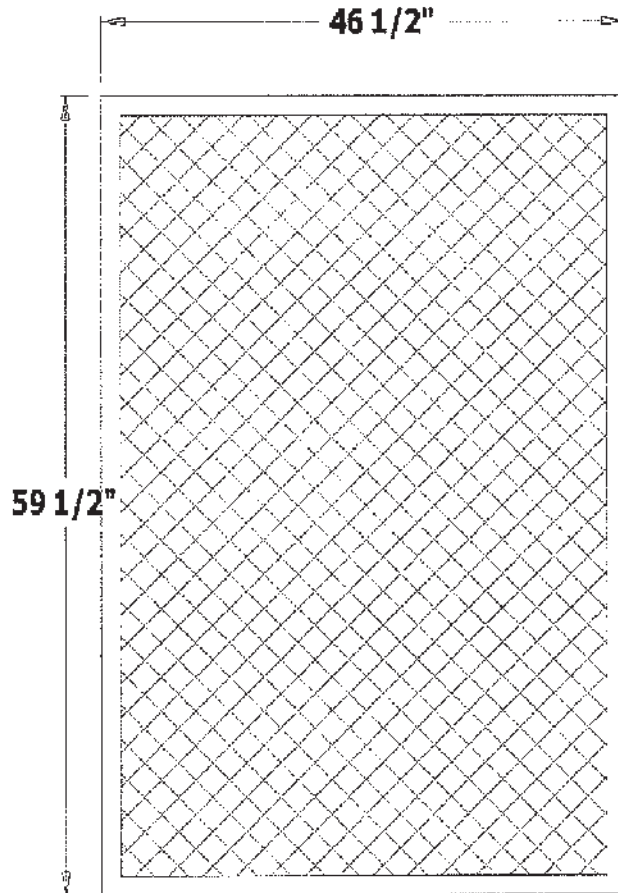
QTY: 2
TAG: G

+/-1/4" TOLERANCE

ANC-AB12 GRAY

ALL NOISE CONTROL				
DYNAMIC TESTING & EQUIPMENT				
PANEL	PO# 82008-921	DWG# D16147PR5	REV# 0	
CONSTRUCTIN	DATE MARCH 12,2013	DRAWN BY A0	*CHANGES* MADE BY	MR

ROOF



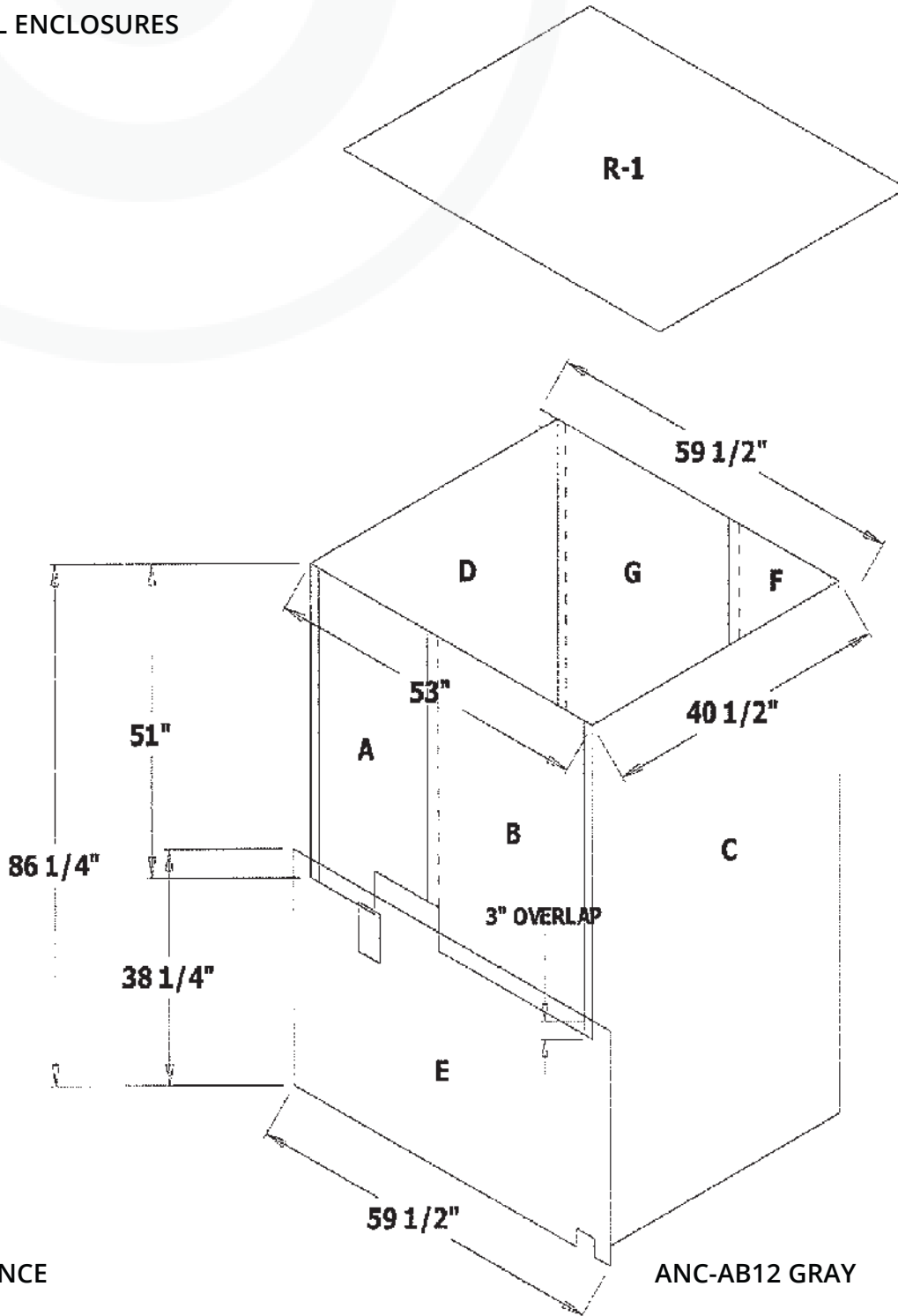
QTY: 2
TAG: R-1

+/-1/4" TOLERANCE

ANC-AB12 GRAY

ALL NOISE CONTROL				
DYNAMIC TESTING & EQUIPMENT				
PANEL	PO# 82008-921	DWG# D16147PR6	REV# 0	
CONSTRUCTIN	DATE MARCH 12,2013	DRAWN BY A0	*CHANGES* MADE BY	MR

TWO IDENTICAL ENCLOSURES



+/-1/4" TOLERANCE

ALL NOISE CONTROL				
DYNAMIC TESTING & EQUIPMENT				
PANEL	PO# 82008-921	DWG# D16147PL	REV#	0
CONSTRUCTIN	DATE MARCH 12,2013	DRAWN BY A0	*CHANGES* MADE BY	MR