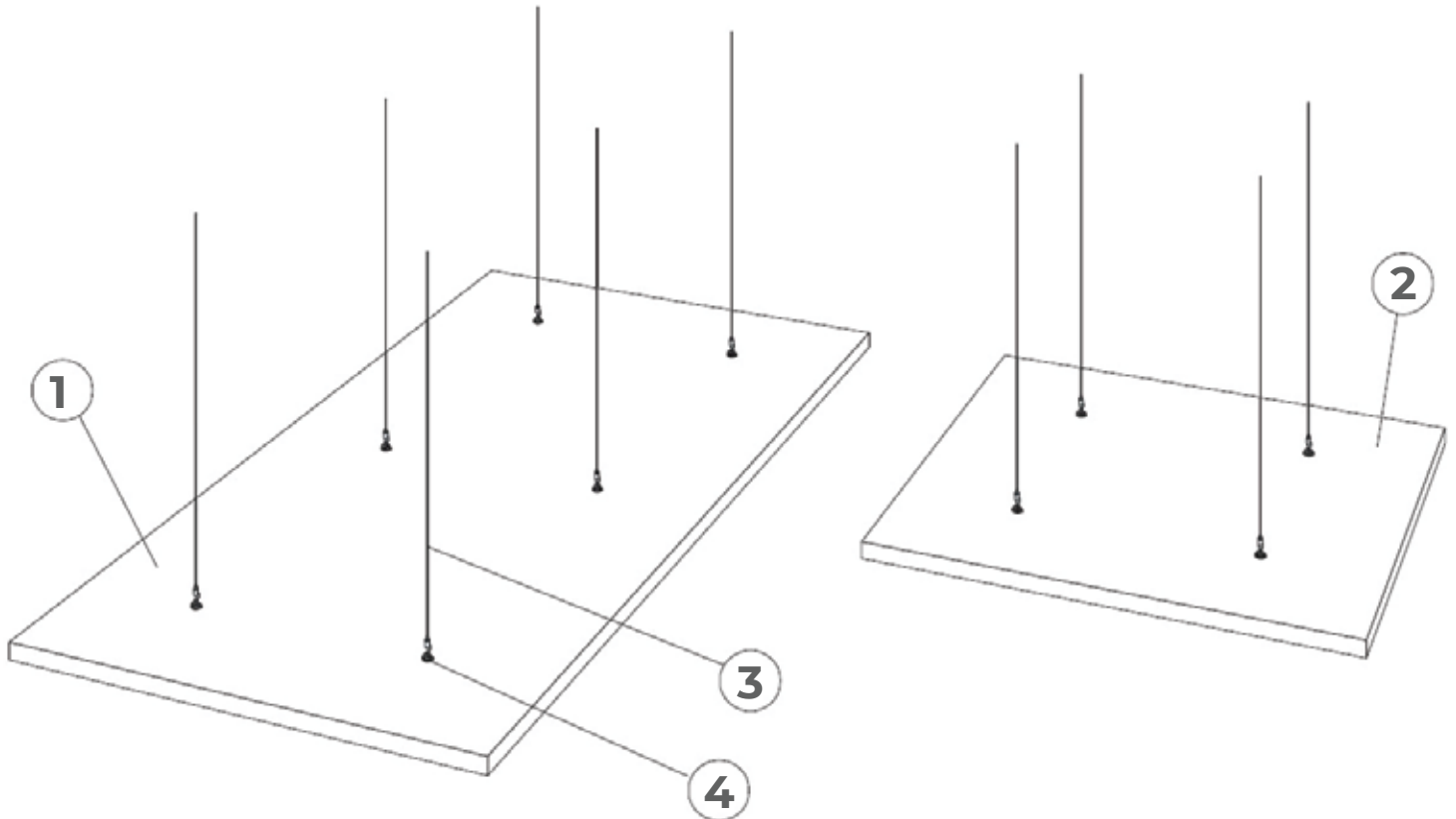


Commercial Ceilings

Commercial Acoustical Ceiling Clouds Installation Instructions



1. Commercial Acoustical Ceiling Clouds 1200 mm x 2400 mm (nominal 4' x 8')

2. Commercial Acoustical Ceiling Clouds 1200 mm x 1200 mm (nominal 4' x 4')

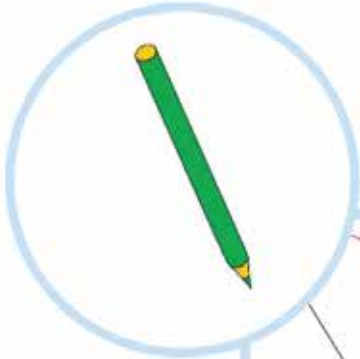
3. Connect Adjustable Wire Hanger Assembly 2174



4. Connect Spiral Anchor 0194



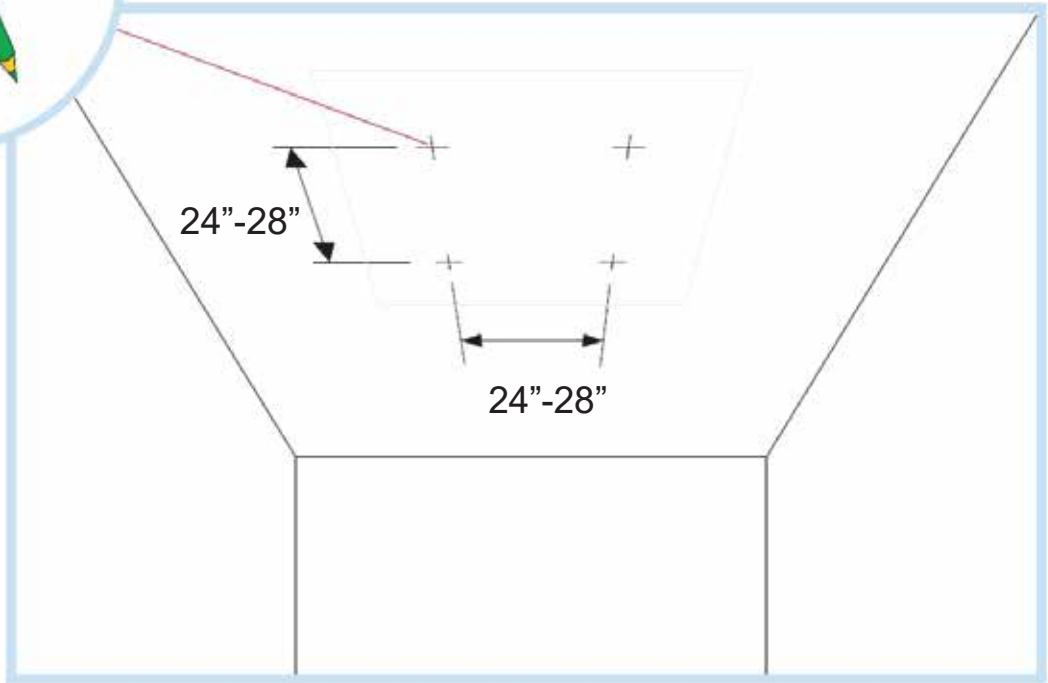
Wear clean white cotton gloves when handling Commercial Acoustical Ceiling Clouds panels.



1200 mm x 1200 mm panels: Steps 1-5
1200 mm x 2400 mm panels: Steps 6-11

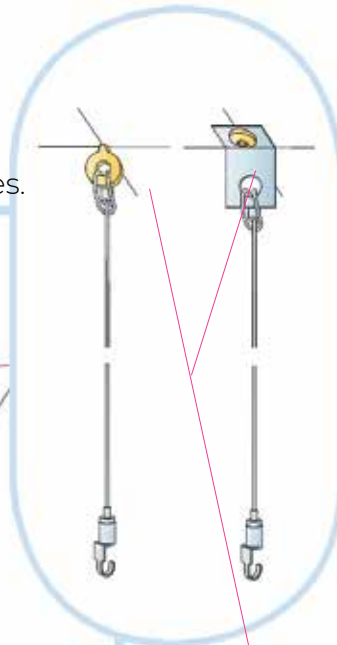
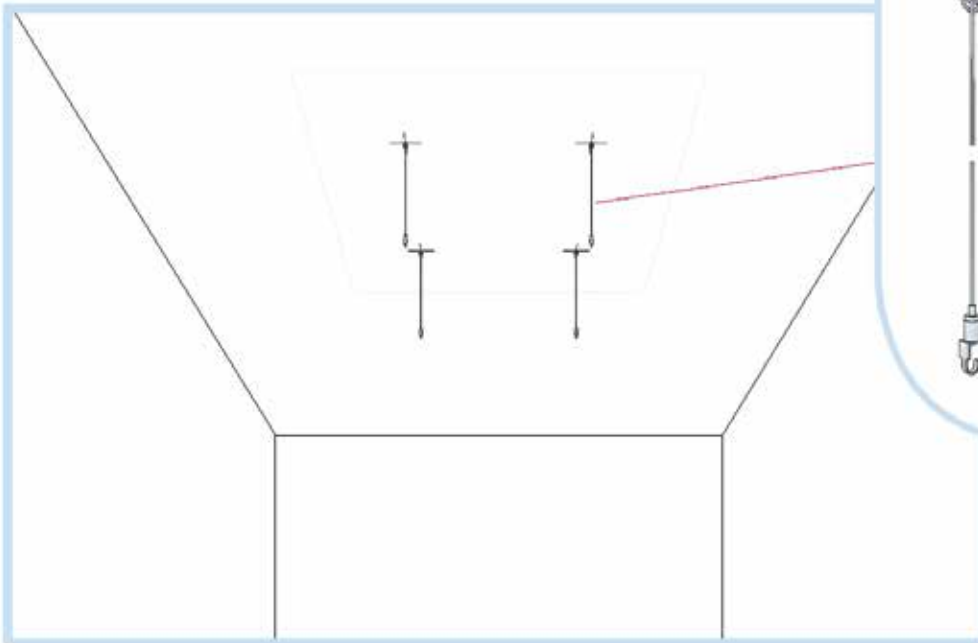
Mark appropriate attachment areas.

1



2

Attach appropriate attachment pieces and wires.



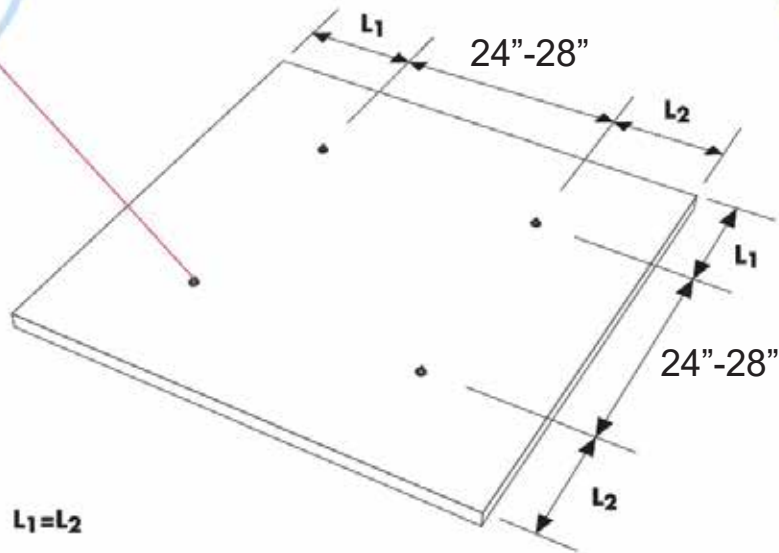
Fasteners for attachment to structure by others

IMPORTANT: it is possible to “over-torque” the Spiral Anchors during installation. In order to avoid this, do not twist the anchors beyond the profile pictured at the right.



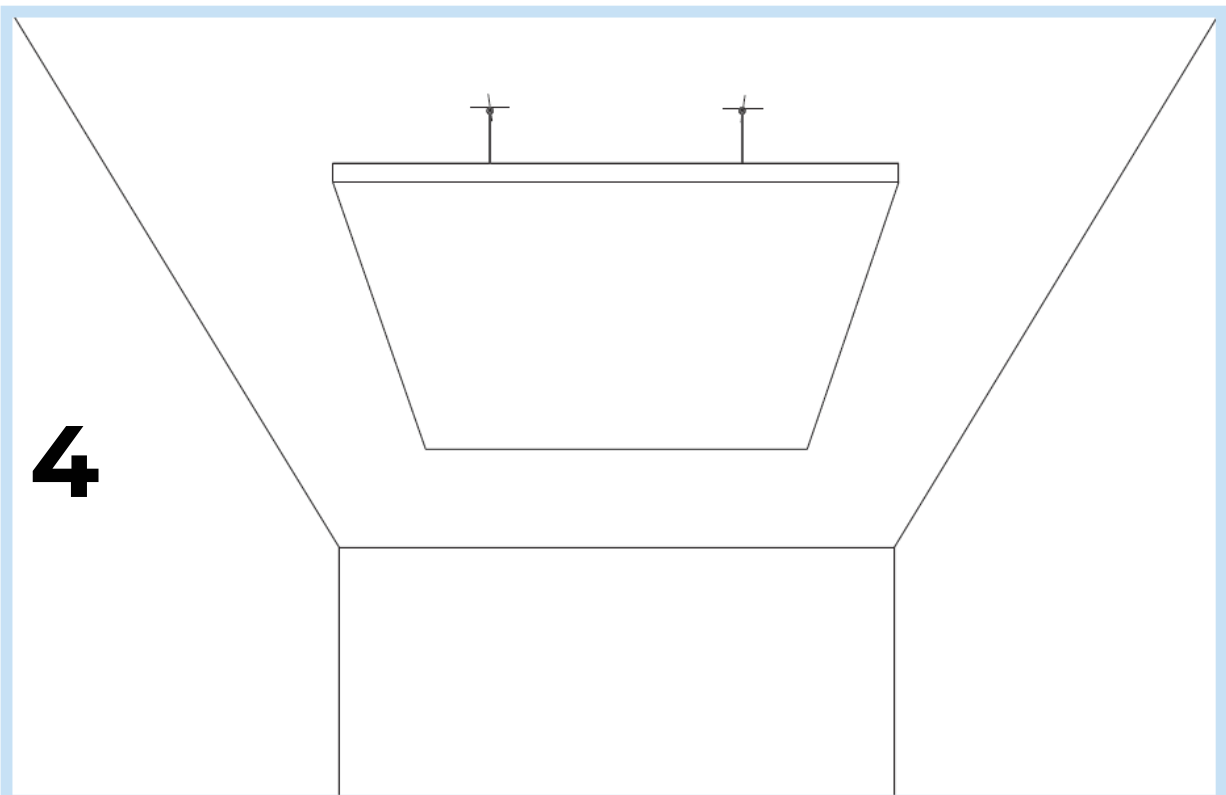
Insert Connect Spiral Anchors 0194.

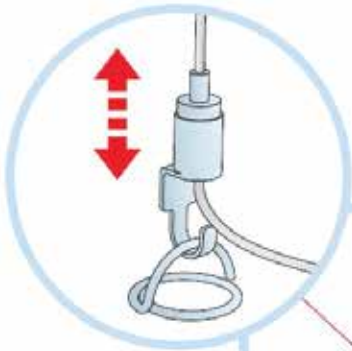
3



IMPORTANT: the precise placement of the Spiral Anchors is key to having a successful installation. It is highly recommended that the placement does not deviate from the diagram above.

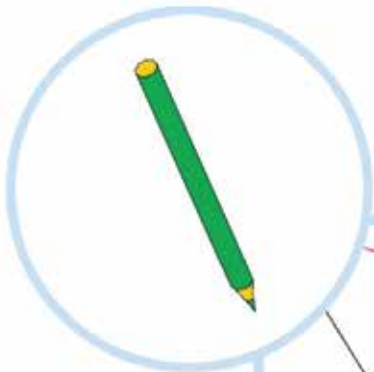
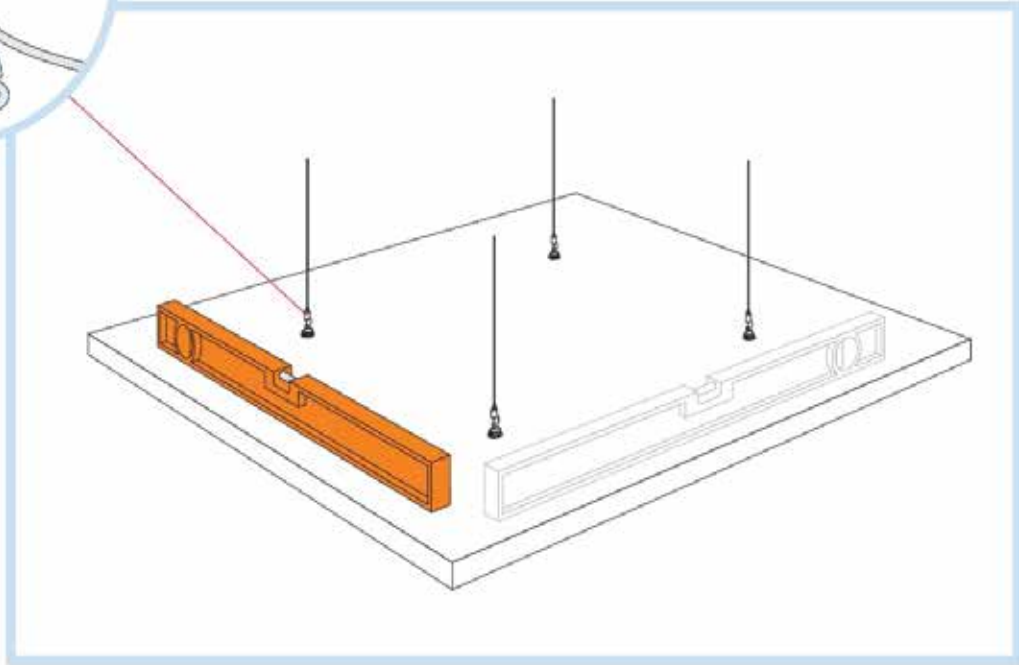
4



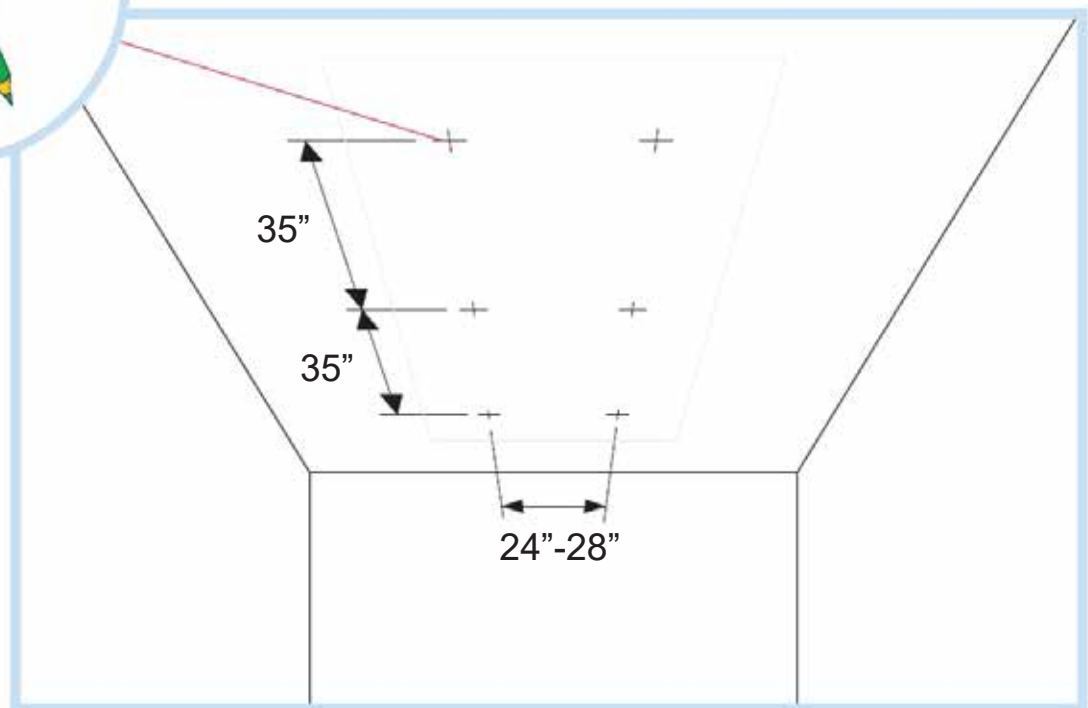


If required, level the panel.

5

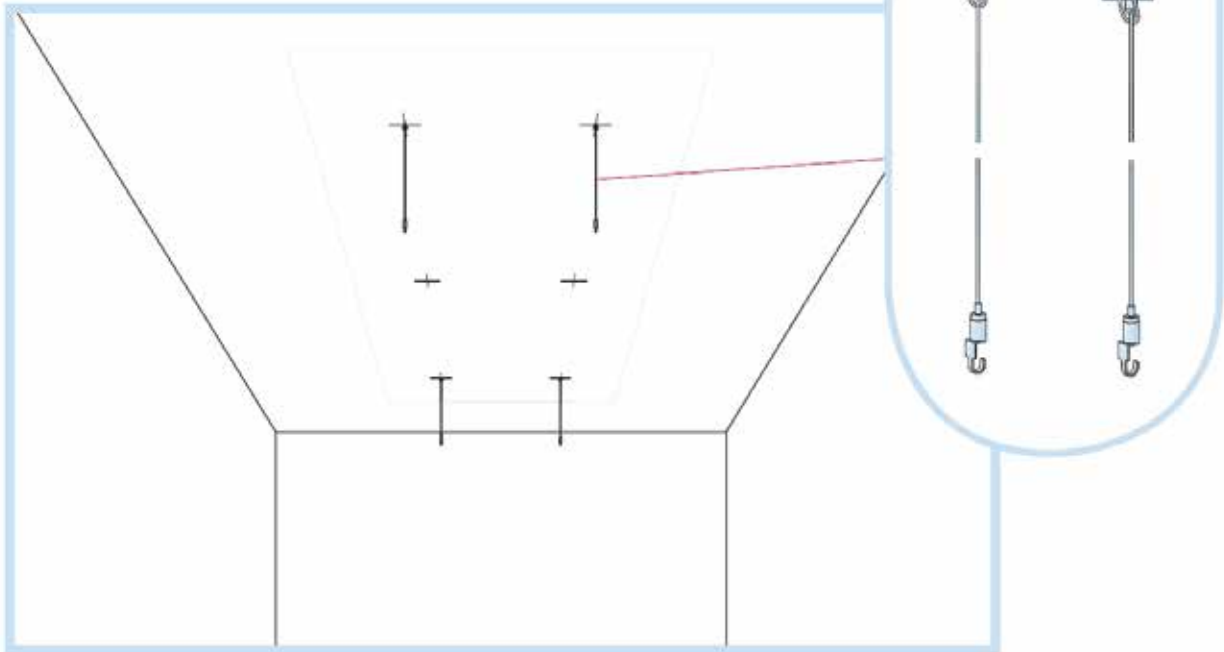


6

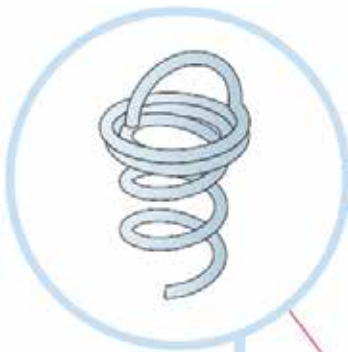


7

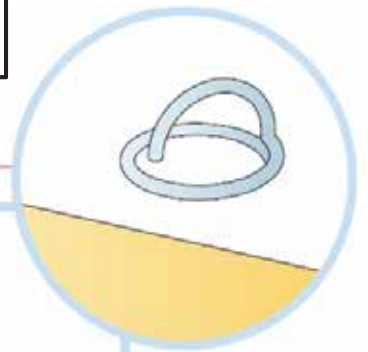
Fasteners for attachment to structure by others



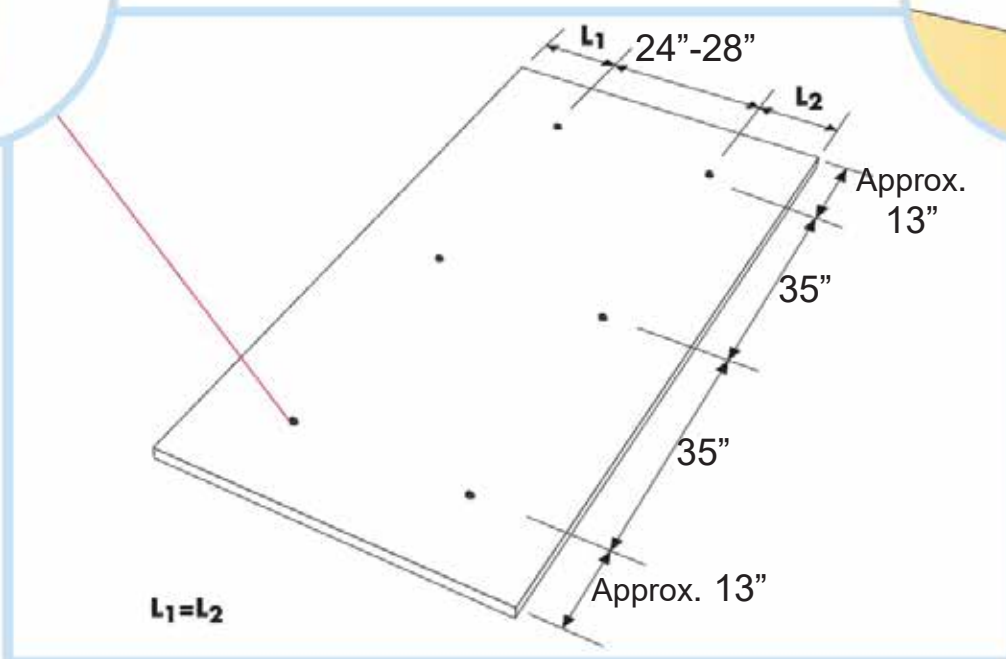
IMPORTANT: review notes on page 3 of 13 regarding the insertion methodology and need for precise panel placement of Spiral Anchors.



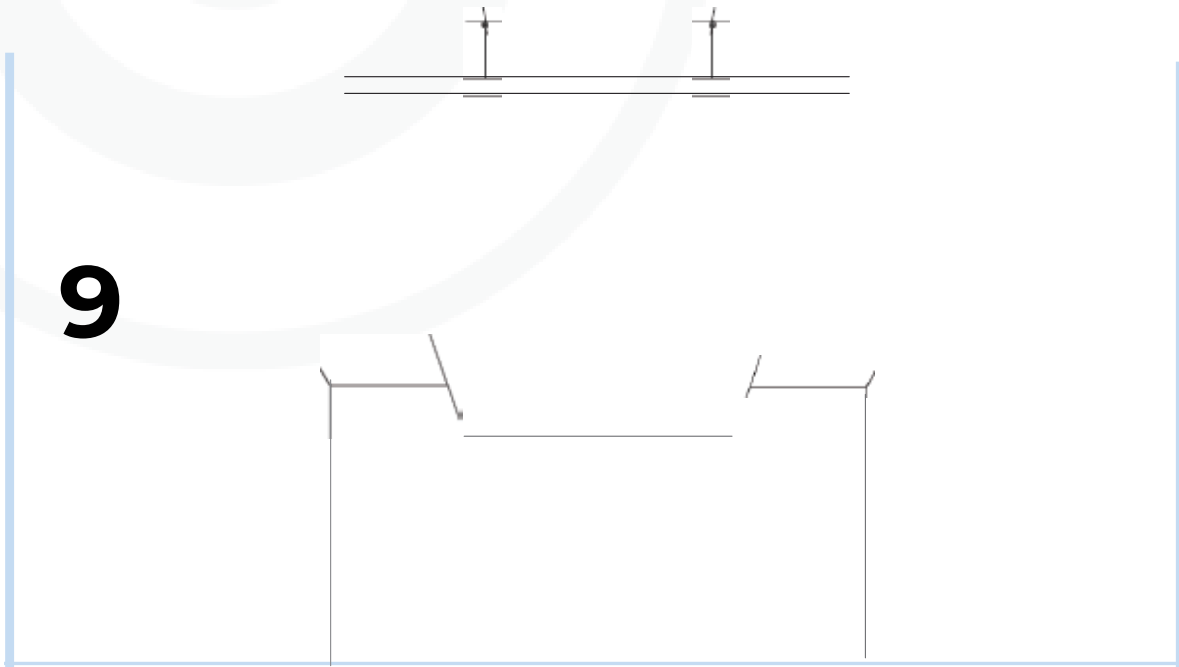
Insert Connect Spiral Anchors 0194.



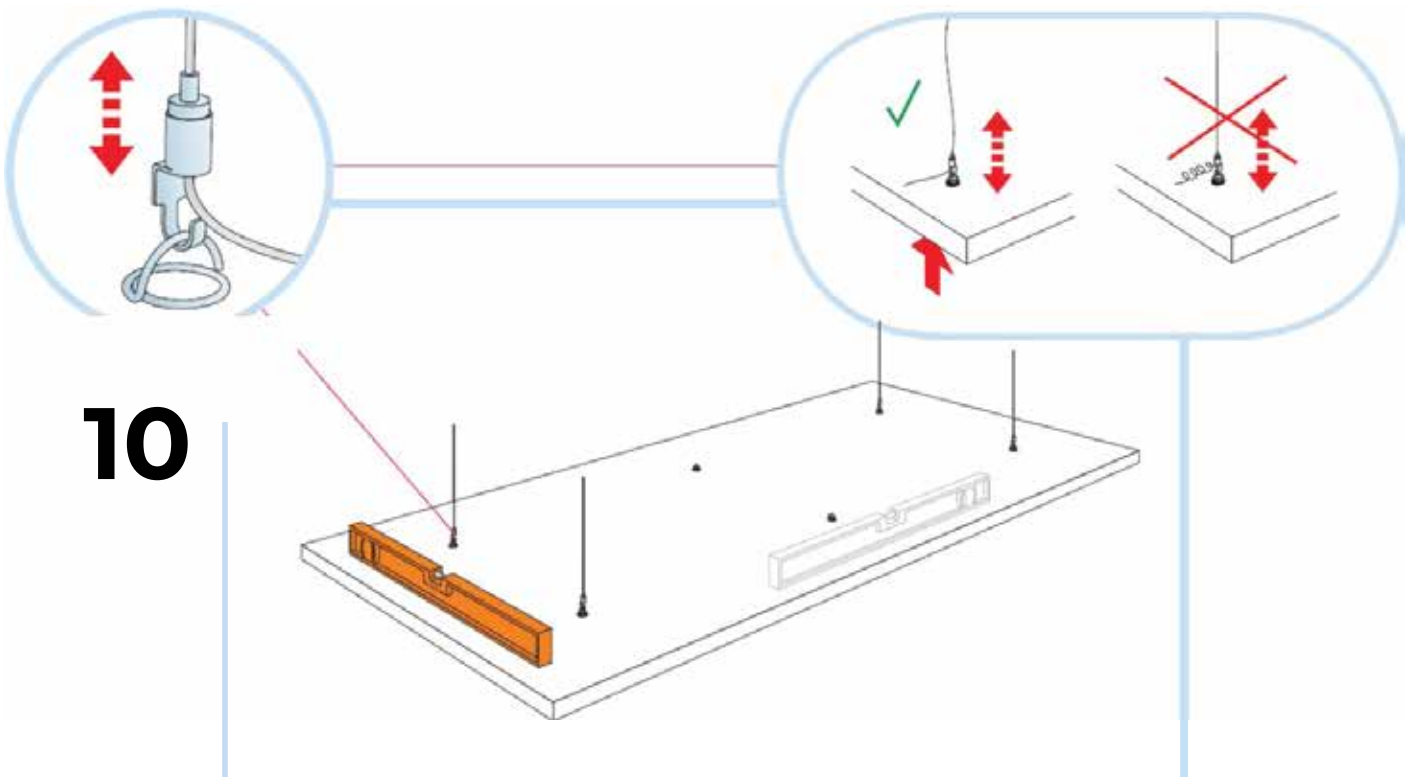
8



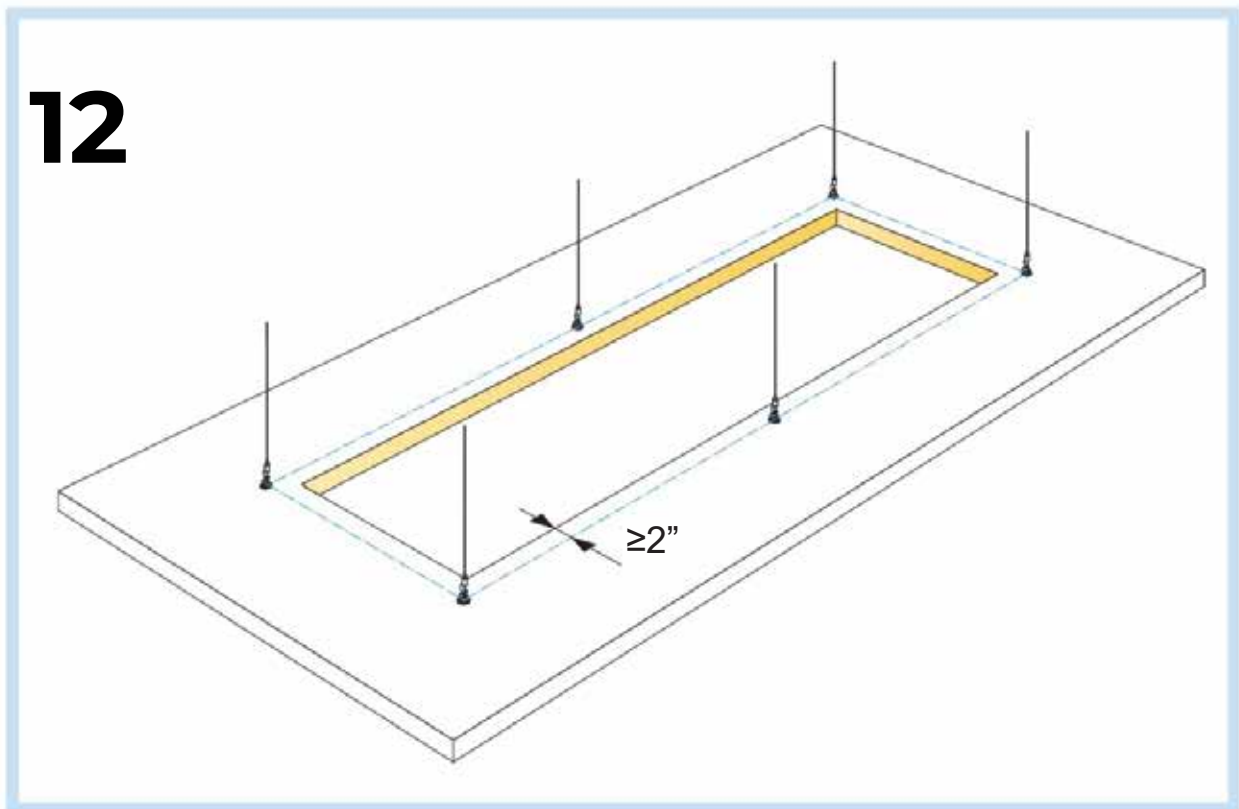
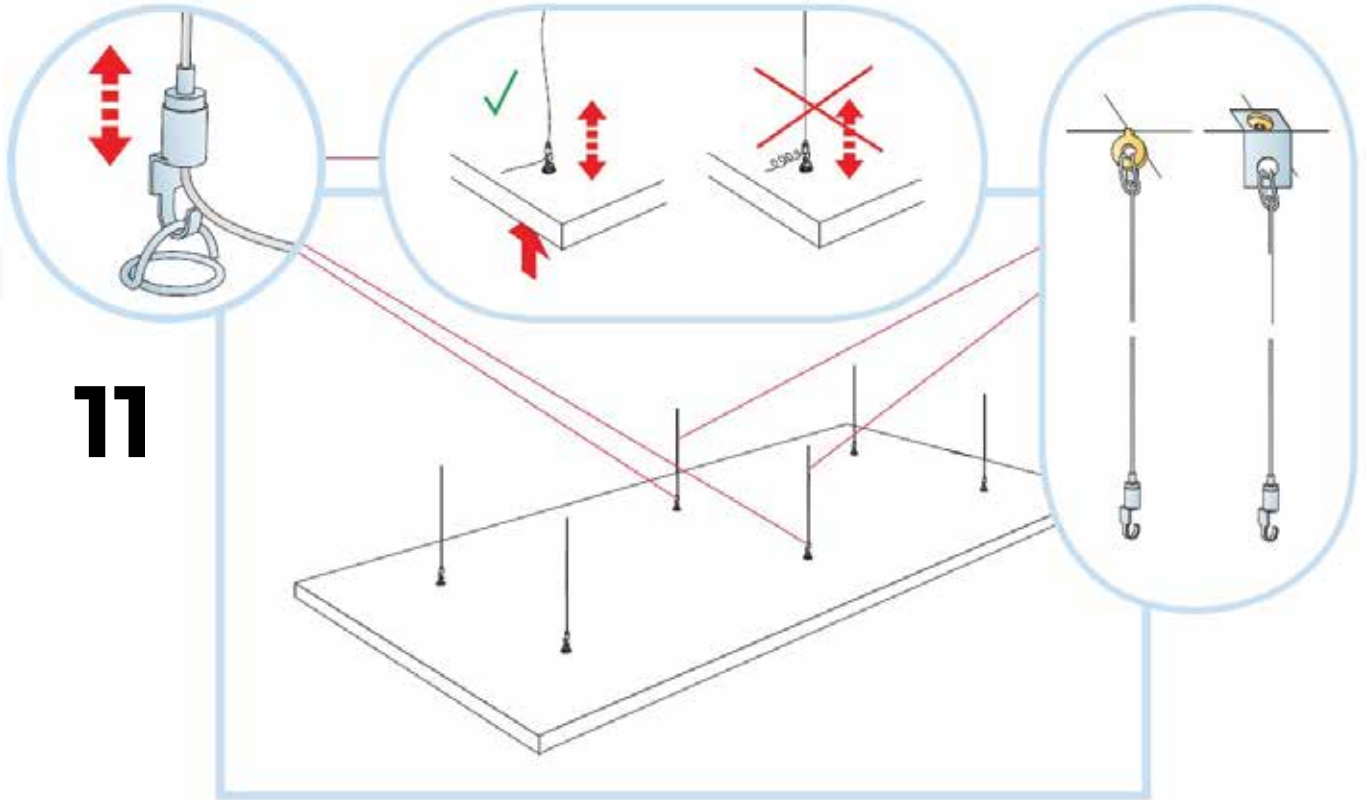
9



10



If required, level the panel. Leveling adjustments should be made by first pushing up on the panel to release tension on the wire hanger.

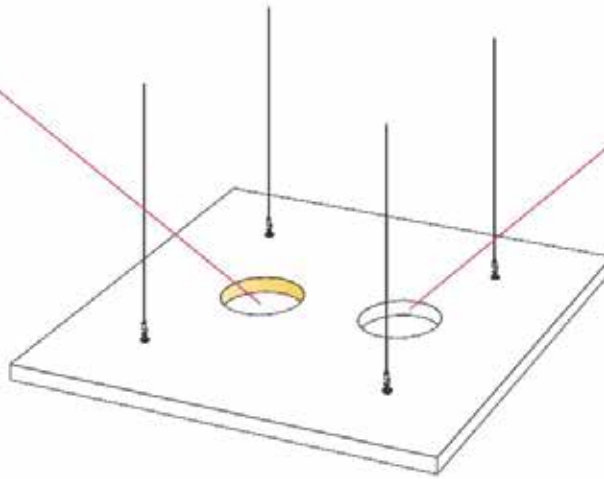




Raw edges can be sealed with Connect Edge Sealant 0691.



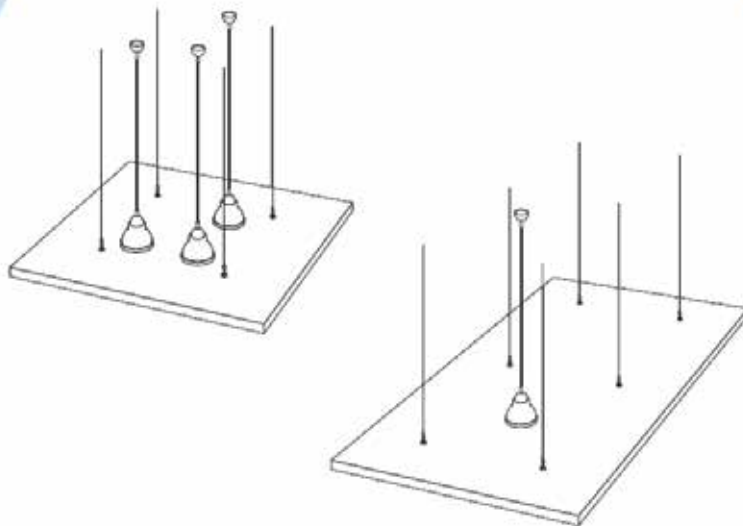
13

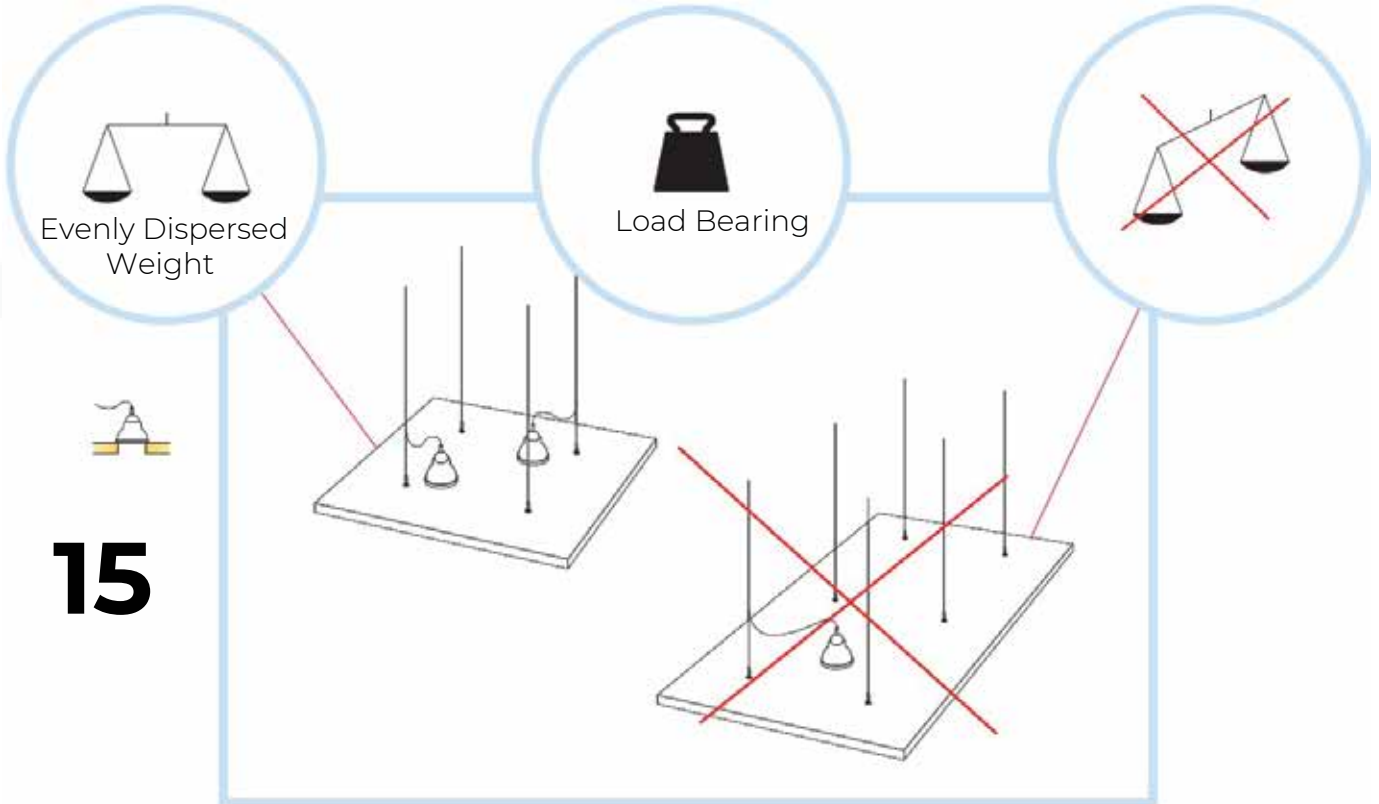


Independently supported light fixtures can be placed unevenly.

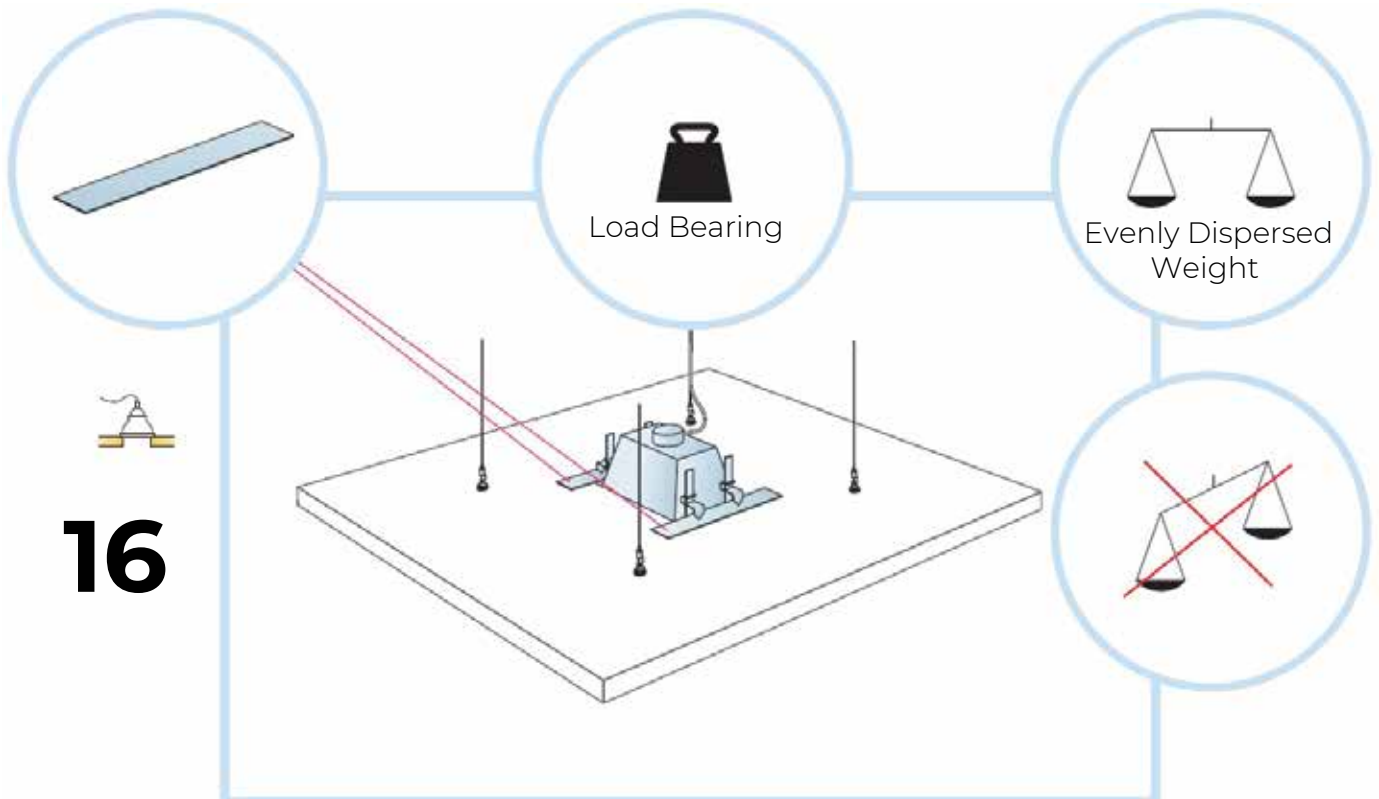


14

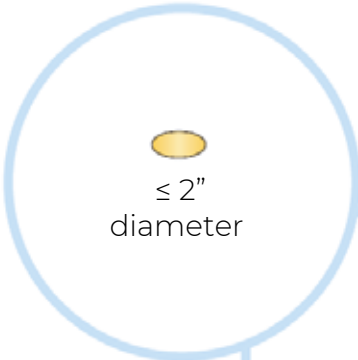




Light fixtures supported by the panel, must be placed evenly.

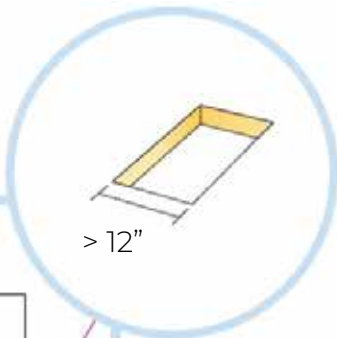
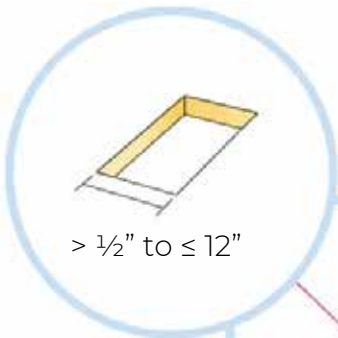
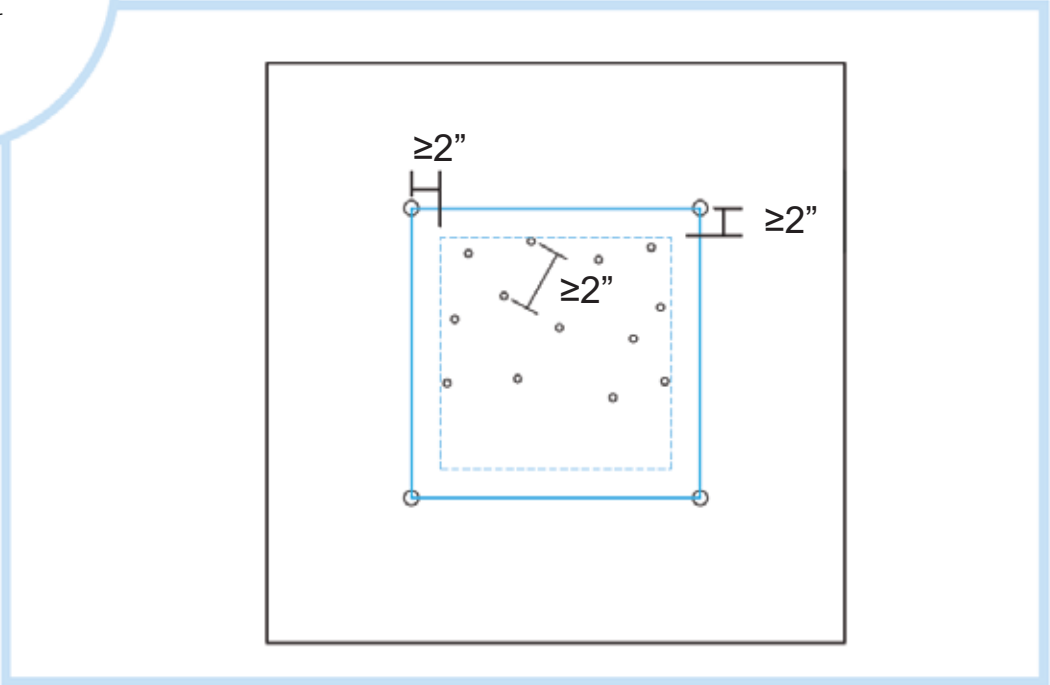


Protective shims for fixtures (shown) are by others.

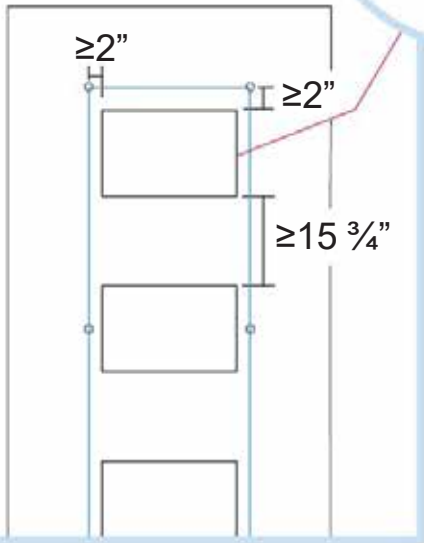
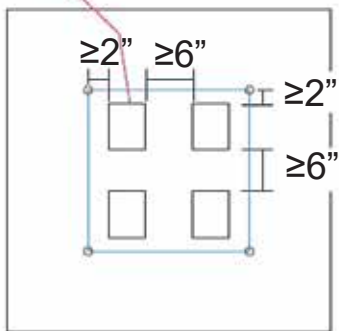


This specialized application references very small diameter fixtures (i.e. LED lighting).

17



18





19

