



ACOUSTIC CURTAINS

Noise Control Specialist

2731 Vista Parkway # D-6 Phone: 561-964-9360

WPB, Florida 33411 Fax: 1-800-363-1593

www.allnoisecontrol.com

info@allnoisecontrol.com



Acoustical Curtain Systems



Full Enclosures

- Four sides with a roof
- Noise reduction of 20 dB(A)
- Offers access, visibility, and ventilation

Partial Enclosures

- Two or three sides
- Four sides without a roof
- Barrier wall
- Noise reduction of 15 dB(A)

Outdoor Applications

- Heavy duty, weather resistant curtains
- Short-term, temporary, or long-term
- Ideal for construction sites and HVAC systems



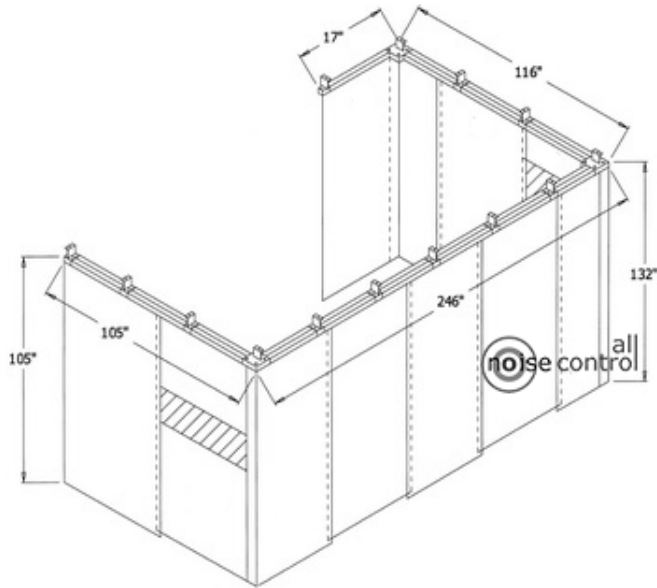
Applications:

- Outdoor concert venues
- Event tents
- Industrial or construction areas
- Restaurants with outdoor dining areas
- And many more

Support Systems

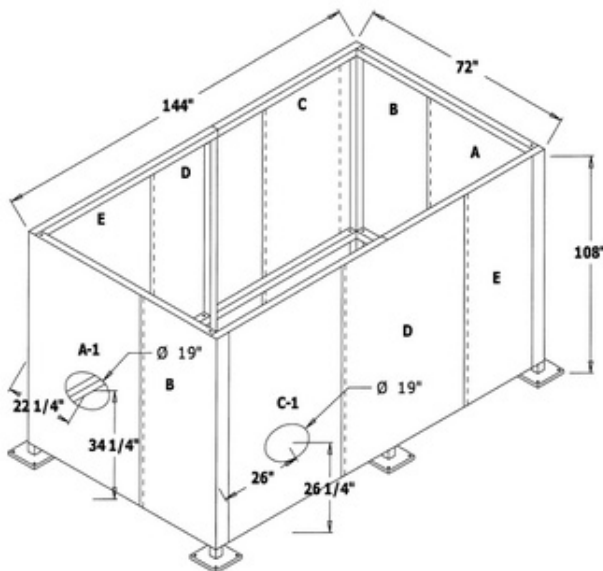
Ceiling suspended and floor mounted system enclosure.

Ceiling Mounted Track



Ceiling mounted track systems allow for panels to easily slide past one another for superior access.

Floor Mounted Track



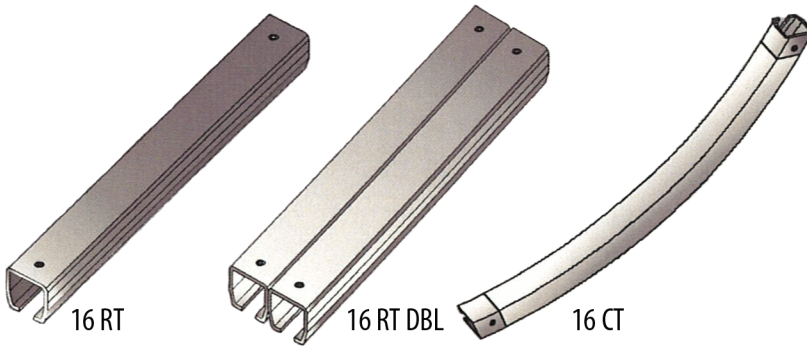
Floor mounted support systems create a free-standing curtain enclosure. These systems allow for easy set-up, reconfiguration, and relocation.

Frame Support and Hardware

eNoise Control sound curtain systems come with a variety of hardware to create a freestanding enclosure. Hardware is designed for easy setup, reconfiguration, and relocation with interchangeable universal parts.

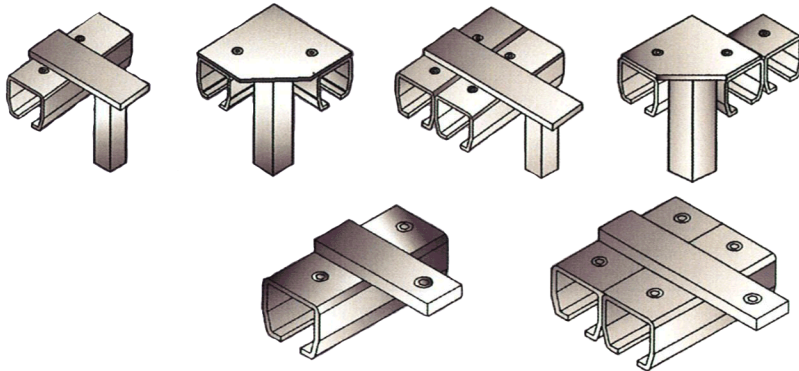
Roller Tracks

12 gauge, zinc-plated, accepts up to 1/2" diameter threaded rod. Corner, middle, and curved connectors available for single or double track systems. Utilized to attach to I-beams.



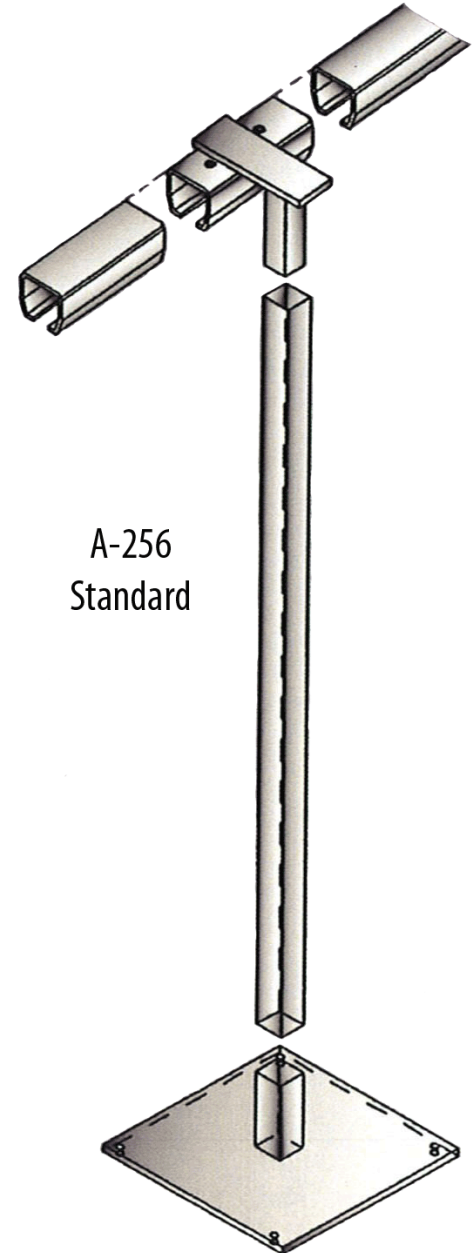
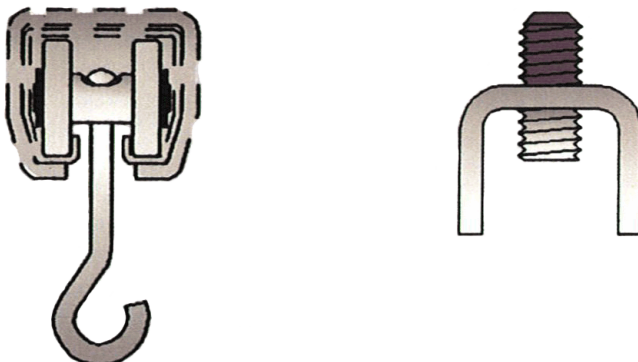
Track Connectors

Universally fitting roller track connectors are made from 12 gauge zinc-plated steel. Available in single or double track and end, corner, and middle pieces.



Universal Track Parts

Universally fitting rollers available in 1 1/2" nylon or 1" steel. All hook and roller assemblies use two rollers.



Standard System

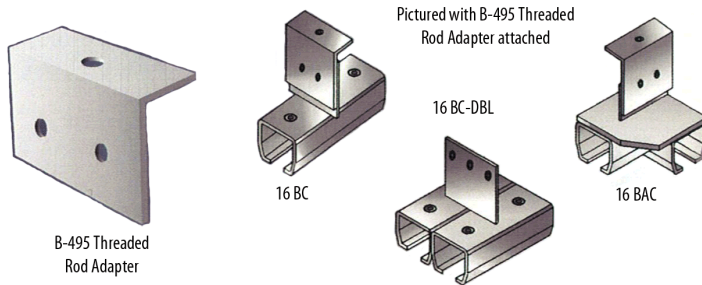
Made from 12 gauge steel, columns telescope over bases and connectors up to 12' in height.

Two floor base options available:
 12" square, 1/4" thick steel plate
 6" square, 3/16" thick steel plate

Frame Support and Hardware

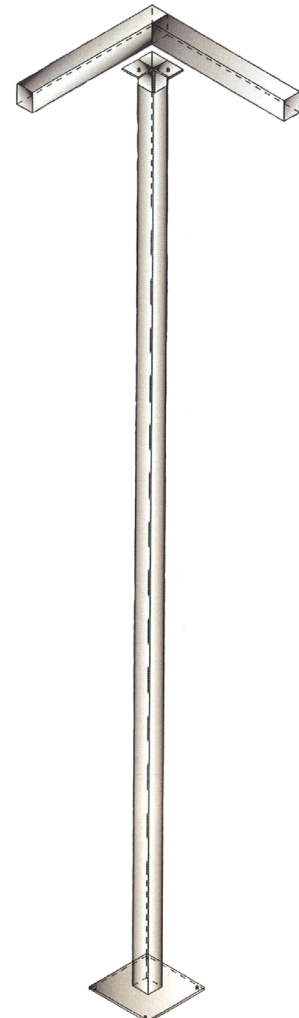
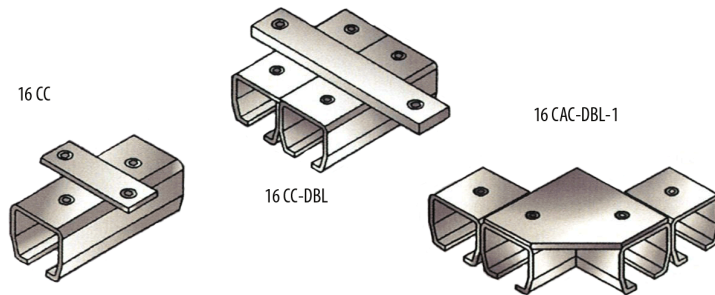
Suspended Systems

12 gauge, zinc-plated, accepts up to 1/2" diameter threaded rod. Corner, middle, and curved connectors available for single or double track systems. Utilized to attach to I-beams.



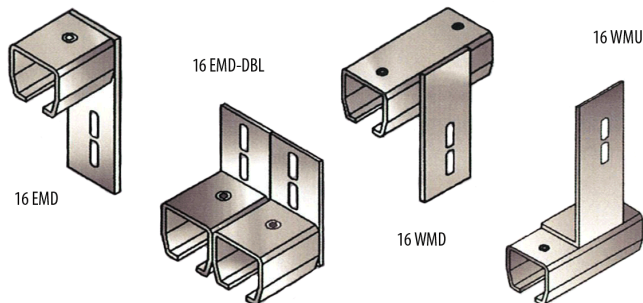
Ceiling Mount Systems

12 gauge and zinc-plated. Corner, middle, and curved connectors available for single or double track systems.



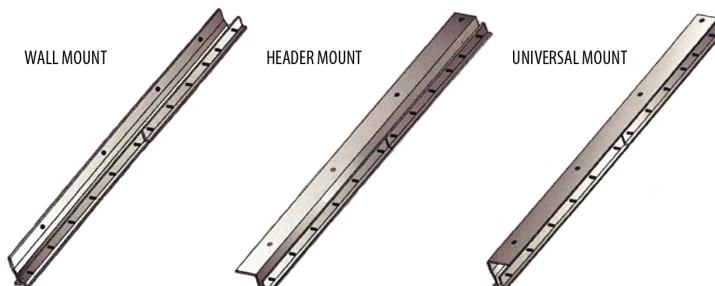
Wall Mount Systems

12 gauge and zinc-plated. Corner, middle, and curved connectors available for single or double track systems.



Stationary Vinyl StripDoor Hardware

Made from galvanized steel, aluminum, or stainless steel. 8', 10', or custom lengths available. Includes 1" studs, spaced 2" on center, clamping plates and lock nuts. Three styles to choose from.



Heavy Duty System

Made from 2 1/2" square steel tube, 3/16" thick. Floor base, column, and cross-beam connector angle are one-piece all welded construction. HD curtain frames are painted for durability.