

## 1. Review

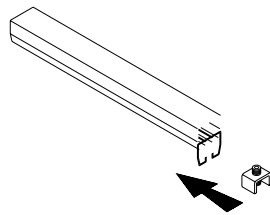
- A. Review drawings
- B. All Sound Curtains and included mounting hardware will be listed on the Materials

**IMPORTANT!** Check the submittal and materials required list to make sure all items are present

## 2. Track

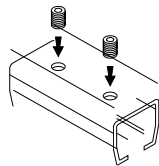
### A. Single Track:

- 1) Affix an End Stop to just one open end.

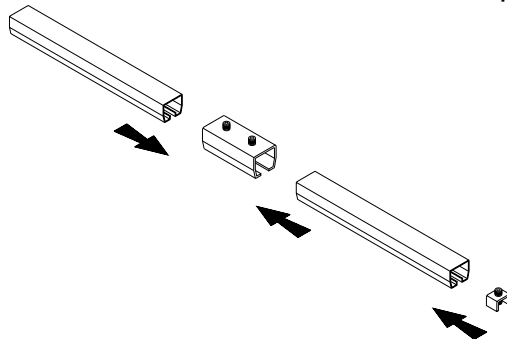


### B. Splicing Multiple Tracks (if required)

- 1) Loosely place 2 Allen screws onto each Straight Connector, just one and a half turns.



- 2) Insert the two tracks into either end of the splice and tighten the screws.



- 3) Repeat this process until all pieces of the track are spliced together.
- 4) Affix an End Stop to just one open end.

### C. Measure the length of the track to ensure it matches submittal.

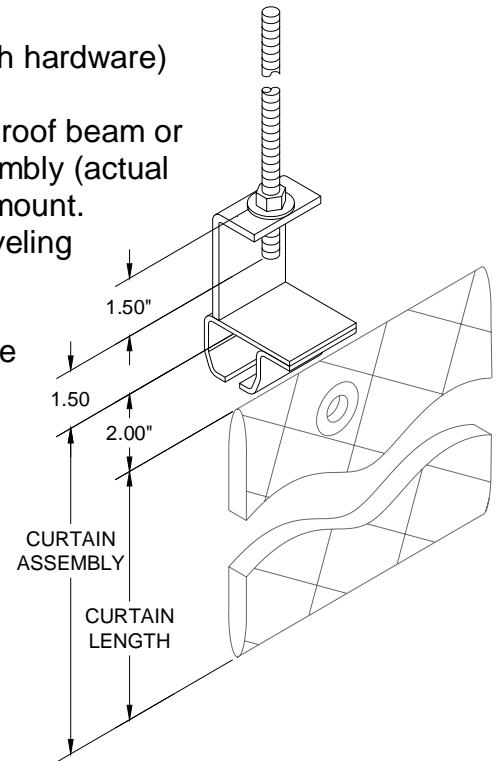
**NOTE:** Whether mounting a single piece of track or multiple pieces spliced together, a mounting bracket should be approximately 6" from each end and either side of a Connector. It is more important to attach the bracket to solid material than to comply with the 6" measurement.

### 3. Suspend Mounting

- A. This method requires 3/8" threaded rod (not included with hardware) securely attached to the structure.  
For rod length, measure the distance from bottom of the roof beam or truss to the floor. Subtract the height of the curtain assembly (actual curtain length plus 2") and an additional 1 1/2" from that amount. This will leave 1 1/2" of rod for bracket attachment (and leveling adjustment if required).

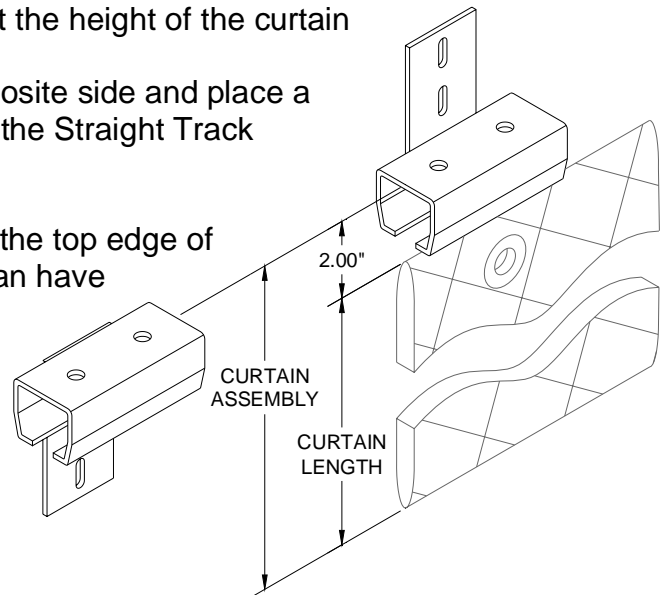
**NOTE:** It is important that all of the threaded rod ends are level with one another. Final track assembly should be level  $\pm \frac{1}{4}$ ".

- B. Place a nut 1 1/2" up from the bottom of the threaded rod.  
C. Place a washer over the rod, then the mounting bracket.  
D. Place another washer then another nut on the rod and tighten the assembly.  
E. Repeat for each bracket.  
F. Proceed to Step 7.



### 4. Wall Mounting

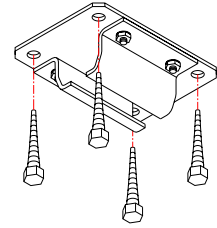
- A. On one side of the bulkhead, place a mark at the height of the curtain assembly (actual curtain height plus 2").  
B. From that point stretch a line level to the opposite side and place a mark. That distance should be the length of the Straight Track assembly. See Step 2.  
C. Connect the marks with a straight level line.  
D. Place each Mounting Bracket on the wall so the top edge of the bracket is even with the line. Brackets can have the mounting tab in either an up or a down position depending on the system design.  
E. Mark the mounting holes.  
F. Remove the bracket, drill the holes and screw the bracket to the wall.  
G. Proceed to Step 7.



### 5. Ceiling Mounting

- A. The ceiling surface must be flat and level with the floor.  
B. The height of the curtain is pre-determined by the ceiling height. The ceiling must be at least 2" higher than the actual curtain height to allow for the hardware.  
C. Place a mark on the ceiling where both ends of the track will fall. See Step 2 for track length measurement.  
D. Connect these marks with a straight line.  
E. Place the Ceiling Support Connector on the ceiling.

- F. Mark the mounting holes.
- G. Remove the bracket, drill the holes and screw the bracket to the ceiling.
- H. Proceed to Step 7.

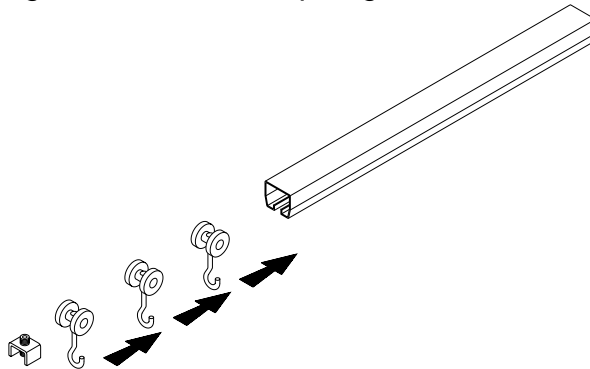


**6. Frame Mounting**

- A. Assemble frame per drawing. DO NOT anchor the base plates to the floor at this time.
- B. Check the frame to be sure it is square and level and in accordance with the dimensions.
- C. After curtains have been hung, Step 9, recheck square, then drill and anchor base plates in place.
- D. Proceed to Step 7.

**7. Inserting Nylon Trolleys with Hooks**

- A. Place each trolley into the open end of the track. The number of trolleys must be equal to the number of grommets on the top edge of the curtains.

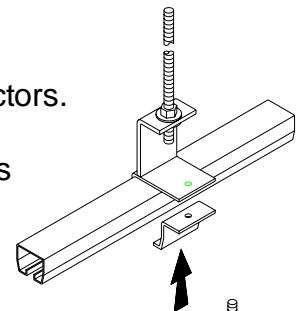


- B. Affix the second End Stop to the open end of the track.

**8. Attaching Track to Bracket / Support Connector**

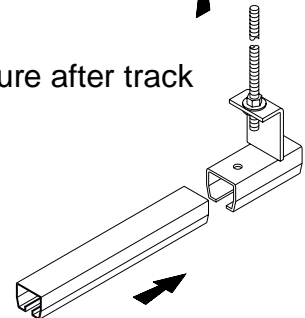
**For brackets with removable plate and nut**

- A. Remove the track Holder Plate from each of the Support Connectors.
- B. Place the Straight Track (assembly) into the Support Connector.
- C. Replace the track holder plate to each of the Support Connectors and tighten the locking nut so that the track is secure.



**For slide through brackets with set screw**

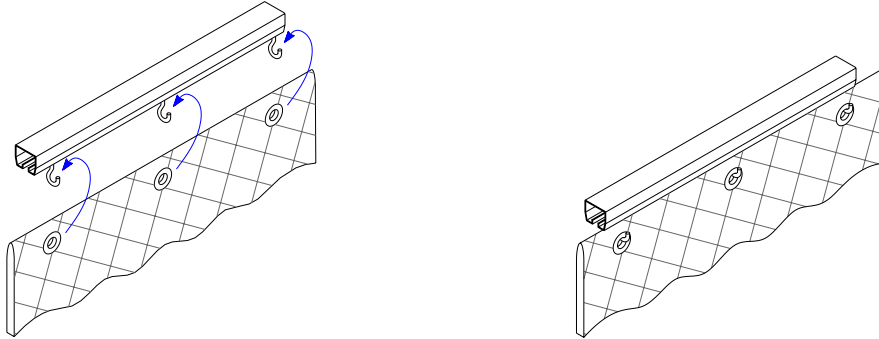
- A. Slide track through the bracket.
- B. Some configurations may require bracket be mounted to structure after track has been placed in the bracket.
- C. Tighten set screw to hold in place



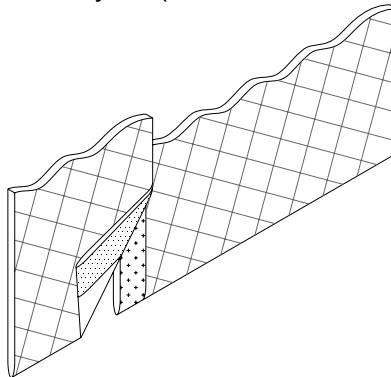
The track assembly should be level  $\pm \frac{1}{4}$  " .

## 9. Hanging The Curtain

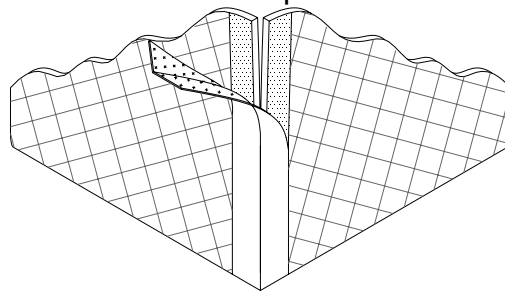
- A. Place each curtain grommet over a trolley hook.



- B. Connect adjoining panels together using the Velcro attached to the panels. Panels should overlap approximately 2" (the width of the Velcro).



- C. If this is a multi-sided system, join corner panels with the provided corner cover, a length of barrier material with 2 strips of hook Velcro on one side.



- D. If system has a valence, cut the provided loop Velcro to length and attach the to the roller track. Attach the valence (hook Velcro is already attached) to the track.