

Acoustical Baffles Installation Instructions

Attachment with cable:

Figures 1 & 2

Secure anchor at both ends into well (Note: Acoustical Solutions offers various wall anchors).

Tighten cable using turn buckles or Alphacable cranks. On extremely long runs of cable, intermediate vertical cable support may be required.

Suspend hanging acoustical baffles from cable using plastic tie warps. Secure tightly



Fig 1

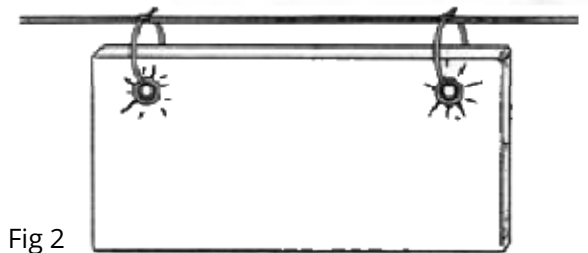


Fig 2

Attachment directly to deck or ceiling:

Figure 3

Attach angle clips to ceiling using tech screws or self-tapping screws. Using plastic tie warps attach acoustical hanging baffles to clip.

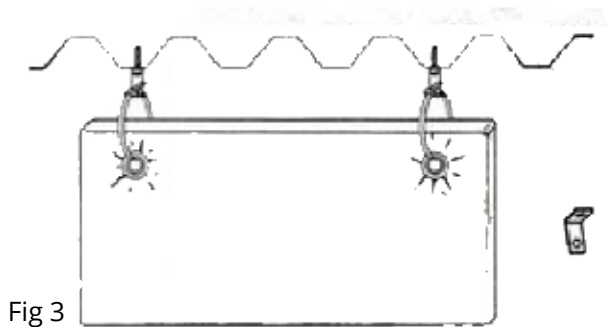


Fig 3

Attachment to drop tile ceiling grid:

Figure 4

Snap display hooks into locked position on any standard ceiling grid system. Using plastic tie warps attach hanging baffles to display clips.

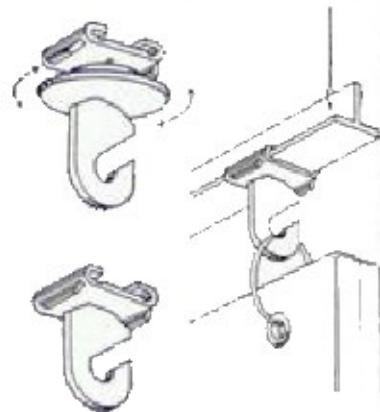


Fig 4