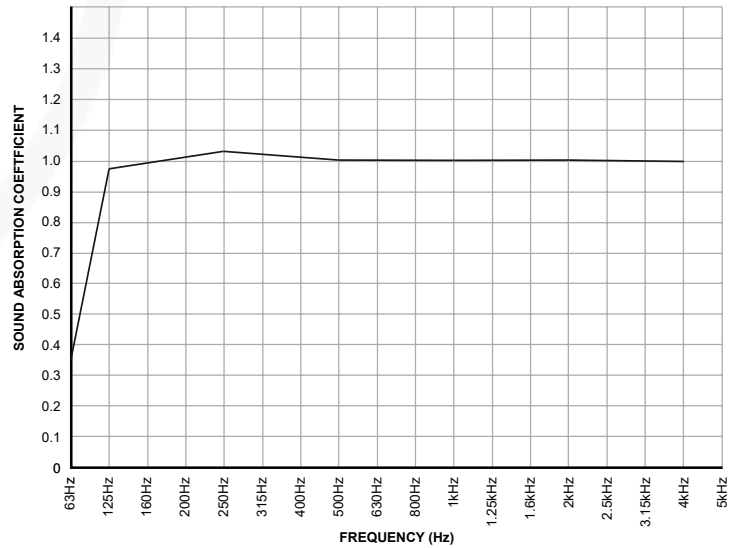


ENGINEERING DATA SHEET

Acoustic Lanterns

The Acoustic Lantern is an innovative hanging absorber that combines the benefits of a suspended baffle with a design element that is reminiscent of popular lanterns used around the globe. Particularly effective in large open spaces where traditional wall mounted acoustic panels do not provide enough absorption. The Lanterns are perfect for demanding locations where blending the acoustics into the existing décor is of utmost importance.

Available in a choice of four styles, each Lantern is made from high-density 6lb per cubic foot glass wool for maximum absorption. Each Lantern is 24" (610mm) tall and averages 8" (203mm) in diameter. Installation is accomplished using a standard T-bar ceiling tie wire, cable or chain. Acoustic Lanterns are available in three fabric colors: black, beige and grey. Four lanterns included



SPECIFICATIONS:

ORDER NUMBER	Dragon P220-C106-XX, Shoji P220-9-C6-XX, Tiki P220-0110-XX, Fiesta P220-C115-XX
COLOR CODE	Black = 03, Beige = 04, Grey = 05
DIMENSIONS	24" (610mm) x 10" (254mm) to 24" (610mm) x 8" (203mm)
CORE MATERIAL	Formed, semi-rigid inorganic glass fibers, 6 lbs/cubic ft (0.6 kg/m ³)
FABRIC FACING	Acoustically transparent polyester-weave
MOUNTING	Open ended eye hook
RECYCLED CONTENT	Up to 40%
LEED ELIGIBLE	Yes

ABSORPTION CHARACTERISTICS:*

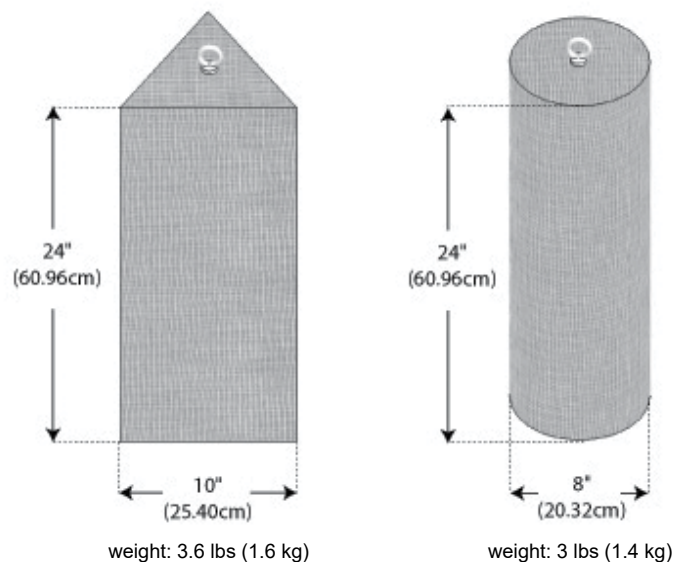
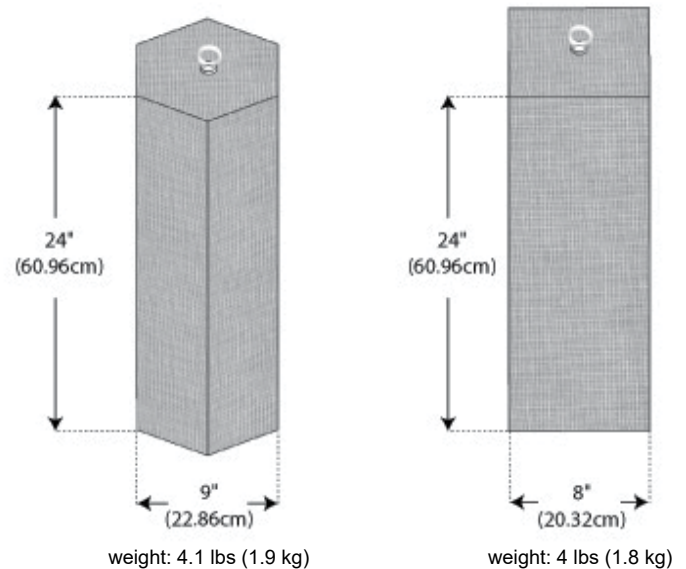
Sound absorption coefficient data

PANEL DEPTH	63Hz	125Hz	250Hz	500Hz	1kHz	2kHz	4kHz
8" (20.3cm) Depth	0.35	.98	1.05	1.02	1.0	1.02	1.01

*Theoretical absorption based on Broacway panel test results and 1/4 wavelength calculation.

FIRE & BURN PERFORMANCE:***

COUNTRY	TEST STANDARD	CLASSIFICATION
Canada	CAN/ULC S102-09	Class A/1
USA	ASTM E84-09	Class A/1
Europe	EN 13501-1	A2-s1, d0
Australia / New Zealand	AS/NZS 1530.3	(BU, ISY), (H0) (Sm,b)



Fiesta

Dragon

Shoji

Tiki