

## Industrial Curtains Hardware



# ACOUSTIC CURTAINS

*All Noise Control*

2731 Vista Parkway # D-6 Phone: 561-964-9360

WPB, Florida 33411 Fax: 1-800-363-1593

[www.allnoisecontrol.com](http://www.allnoisecontrol.com)

[info@allnoisecontrol.com](mailto:info@allnoisecontrol.com)



# Acoustical Curtain Systems



## Full Enclosures

- Four sides with a roof
- Noise reduction of 20 dB(A)
- Offers access, visibility, and ventilation

## Partial Enclosures

- Two or three sides
- Four sides without a roof
- Barrier wall
- Noise reduction of 15 dB(A)

## Outdoor Applications

- Heavy duty, weather resistant curtains
- Short-term, temporary, or long-term
- Ideal for construction sites and HVAC systems



## Applications:

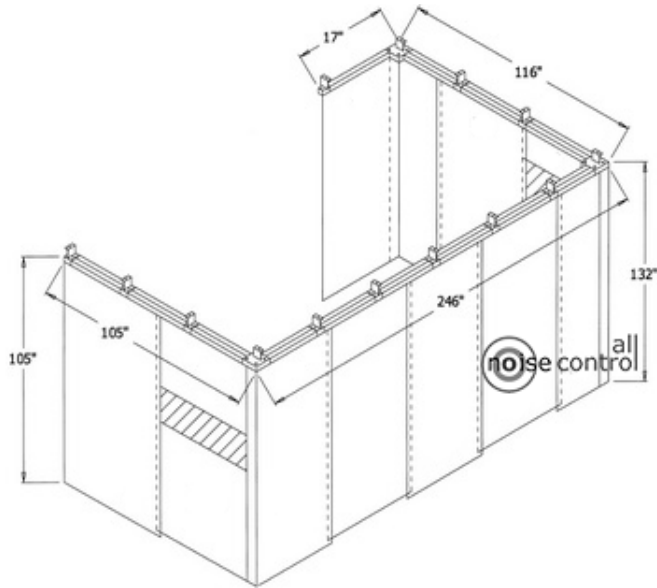
- Outdoor concert venues
- Event tents
- Industrial or construction areas
- Restaurants with outdoor dining areas
- And many more



# Support Systems

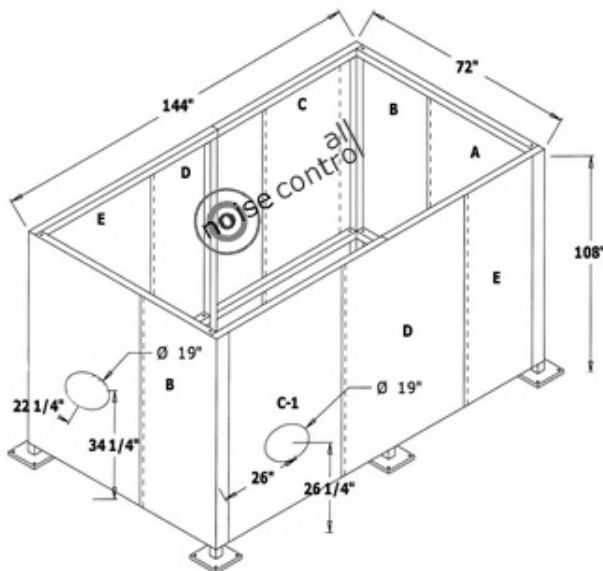
Ceiling suspended and floor mounted system enclosure.

## Ceiling Mounted Track



Ceiling mounted track systems allow for panels to easily slide past one another for superior access.

## Floor Mounted Track



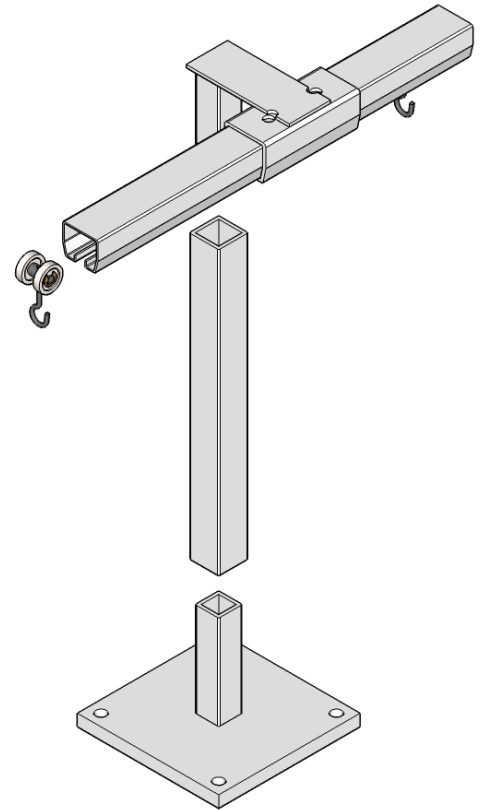
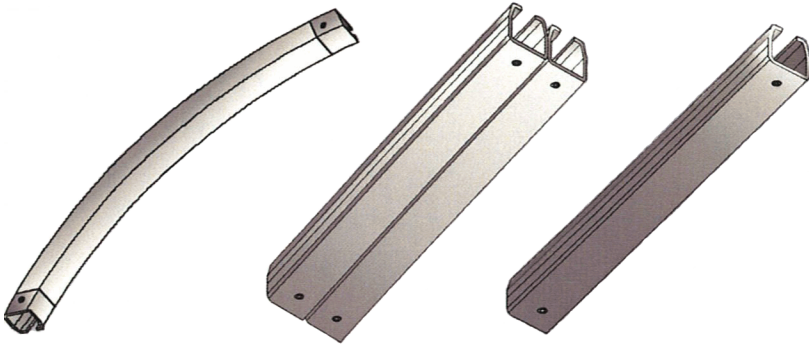
Floor mounted support system is a free-standing curtain enclosure. These systems allow for easy setup, reconfiguration, and moving.

# Frame Support and Hardware

All Noise Control sound curtain systems come with a variety of hardware to create a acoustical enclosures. Hardware is designed for easy setup and reconfiguration to relocate if needed with interchangeable universal parts.

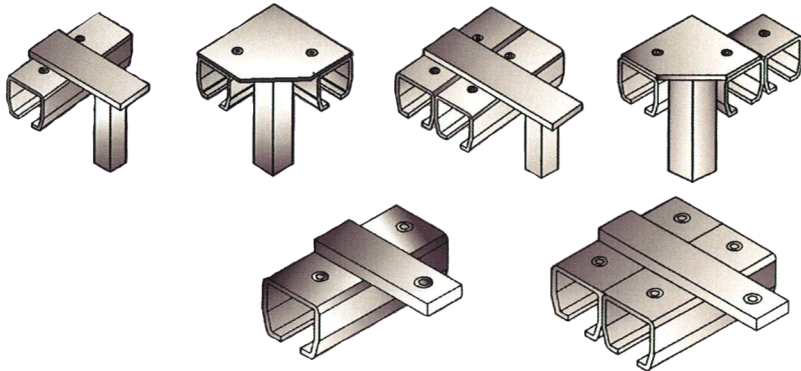
## Roller Tracks

12 gauge, zinc-plated, accepts up to 1/2" diameter threaded rod. Corner, middle, and curved connectors available for single or double track systems. Utilized to attach to I-beams.



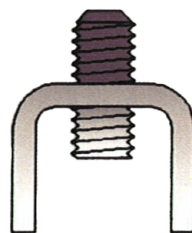
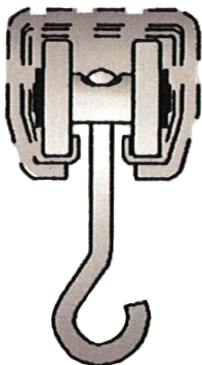
## Track Connectors

Universally fitting roller track connectors are made from 12 gauge zinc-plated steel. Available in single or double track and end, corner, and middle pieces.



## Universal Track Parts

Universally fitting rollers available in 1 1/2" nylon or 1" steel. All hook and roller assemblies use two rollers.



## Standard System

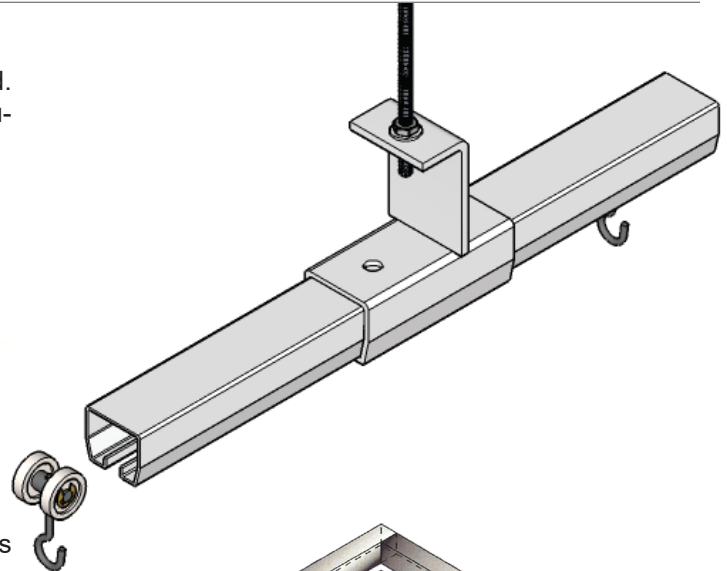
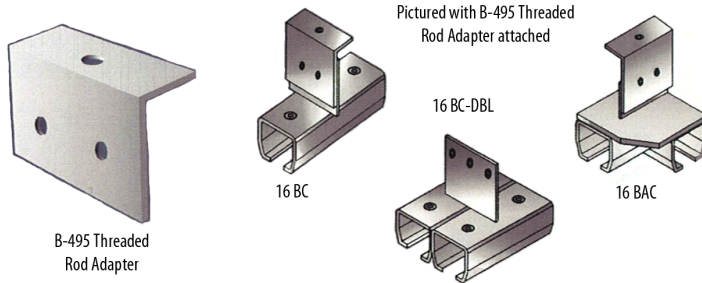
Made from 12 gauge steel, columns telescope over bases and connectors up to 12' in height.

**Two floor base options available:**  
12" square, 1/4" thick steel plate  
6" square, 3/16" thick steel plate

# Frame Support and Hardware

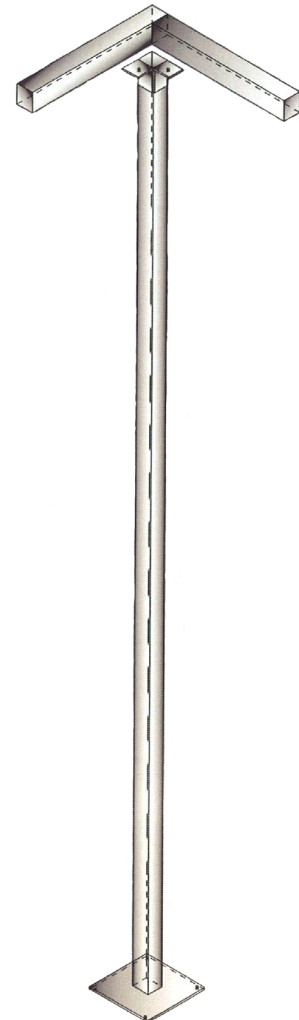
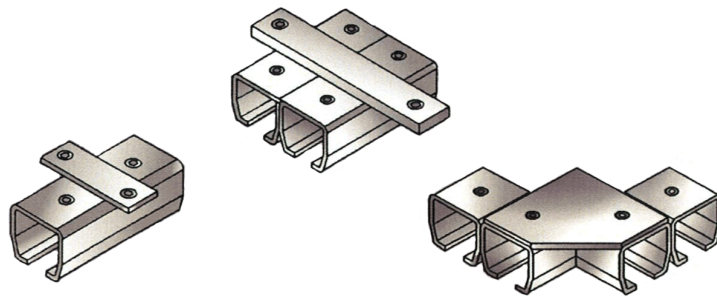
## Suspended Systems

12 gauge, zinc-plated, accepts up to 1/2" diameter threaded rod. Corner, middle, and curved connectors available for single or double track systems. Utilized to attach to I-beams.



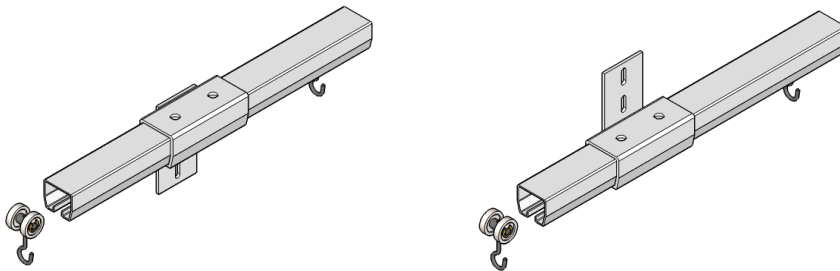
## Ceiling Mount Systems

12 gauge and zinc-plated. Corner, middle, and curved connectors available for single or double track systems.



## Wall Mount Systems

12 gauge and zinc-plated. Corner, middle, and curved connectors available for single or double track systems.



## Heavy Duty System

Made from 2 1/2" square steel tube, 3/16" thick. Floor base, column, and cross-beam connector angle are one-piece all welded construction. HD curtain frames are painted for durability.