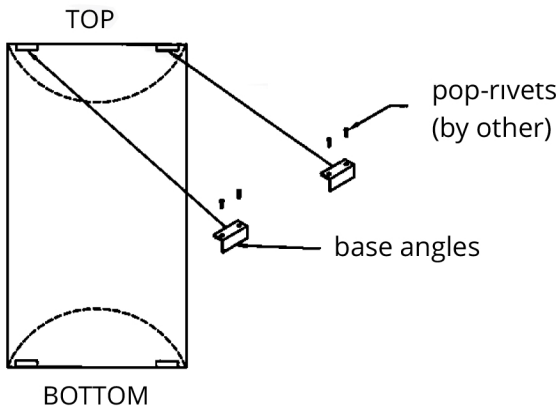


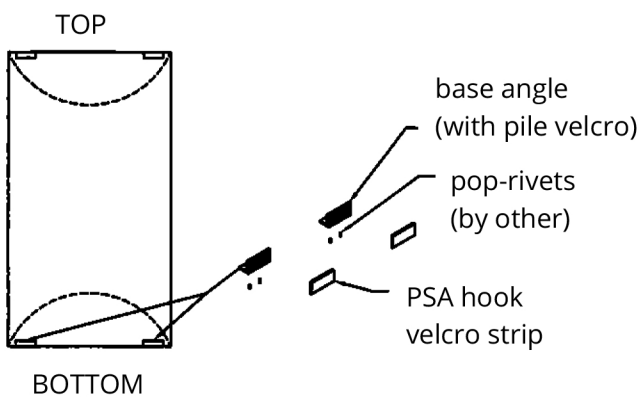
# DIFFUSER MOUNTING DETAIL

## VERTICAL ORIENTATION

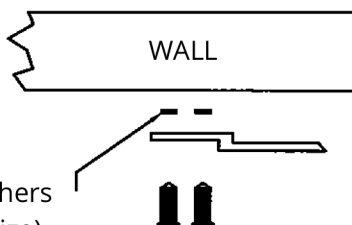
1 Attach the two 4" long base angles to the top of the diffuser from the Gel-coated side. Insert the white headed pop-rivets (by other) thru the pre-drilled holes in the base angles and diffuser.



2 Attach the two 4" long base angles (with pile velcro & PSA hook) to the bottom of the diffuser from the Gel coated side. Insert the white headed pop-rivets (by other) thru the pre-drilled holes in the base angles and the diffuser.

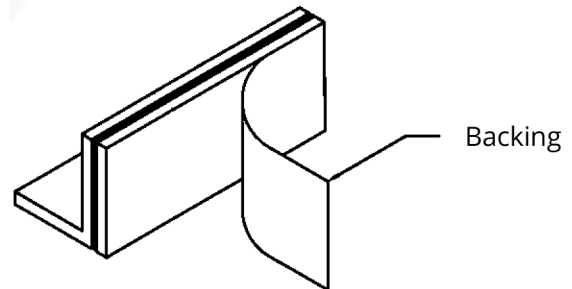


2 Secure the two 4" "Z"-bars and washer to the wall with screws. place 1 washer (by other) Between the wall and "Z"-bar at each screw location.

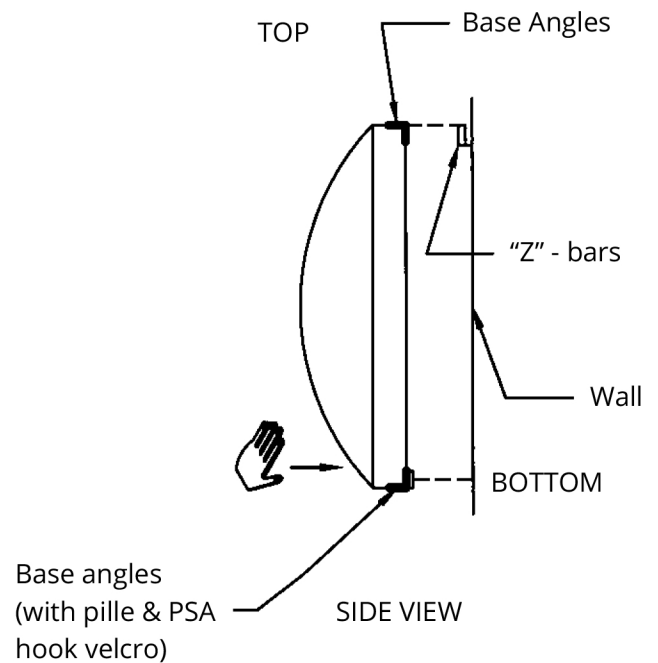


5/16" flat washers (or required size)

1 Peel the paper backing of the hook velcro



1 Attach the base angles to the "Z"-bars. level and adjust as necessary. In the vicinity of the velcro push the diffuser firmly onto the wall.



Each vertical wall mount diffuser includes:

- Two 4" long Base Angles
- Two 4" long "Z"-bars
- Two 4" long Base Angles (with pile velcro attached to angle)
- Two mating 4" PSA hook velcro strip attached to pile