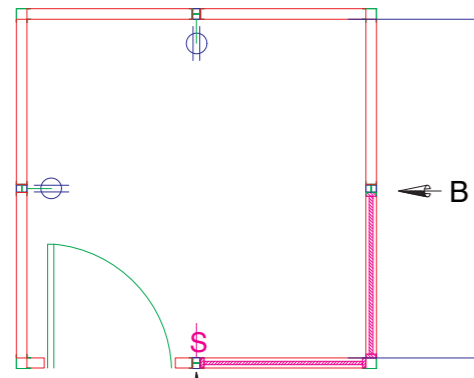
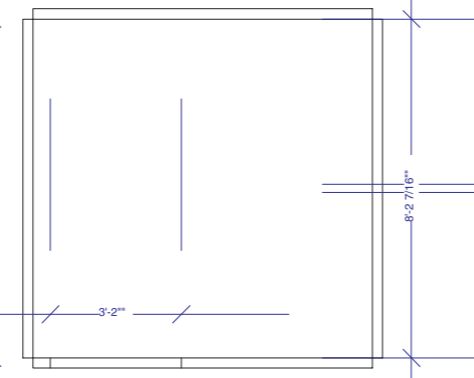


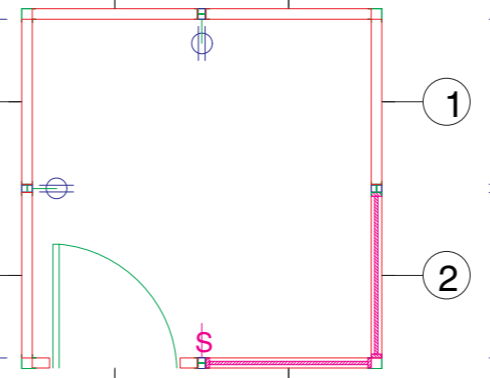
- INTERIOR BUILDING NOTES:
- OVERALL HEIGHT IS 8'-1 1/2" (NOMINAL)
 - PANELS ARE 3", 3-PLY, G/G AT 8'-0" HIGH
 - CEILING HEIGHT IS 7'-6" ABOVE FINISHED FLOOR
 - APPLICATION:
INTERIOR BUILDING
(STRUCTURE NOT DESIGNED TO BE EXPOSED TO WIND OR THE ELEMENTS.)
 - COLORS (PLEASE CHOOSE FROM THE FOLLOWING)
INTERIOR WALLS: WHITE CHAMPAGNE (CREAM)
EXTERIOR WALLS: WHITE CHAMPAGNE (CREAM)
DOORS: WHITE BRONZE
WINDOWS: WHITE BRONZE
TRIM: WHITE BRONZE
 - STANDARD HEIGHTS:
DUPLEX RECEPTACLE HEIGHT IS 18" ABOVE FINISHED FLOOR TO CENTER
TELE/DATA PREP HEIGHT IS 18" ABOVE FINISHED FLOOR TO CENTER
SWITCH HEIGHT IS 46" ABOVE FINISHED FLOOR TO CENTER
WINDOW HEIGHT IS 42" ABOVE FINISHED FLOOR TO BOTTOM SILL
 - ROOF DECKING IS 22 GA. STEEL B-DECK
 - ROOF CAPACITY: NON-LOAD BEARING



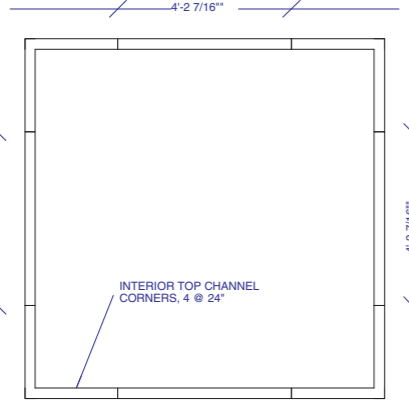
FLOOR PLAN



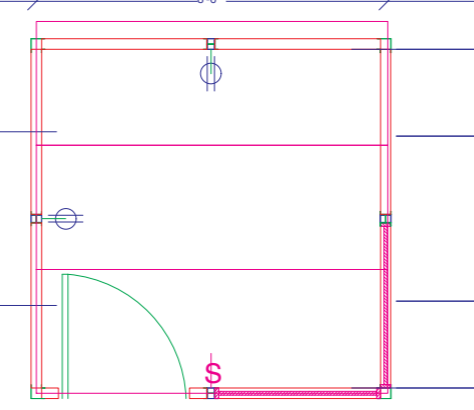
INTERIOR BASE CHANNEL LAYOUT



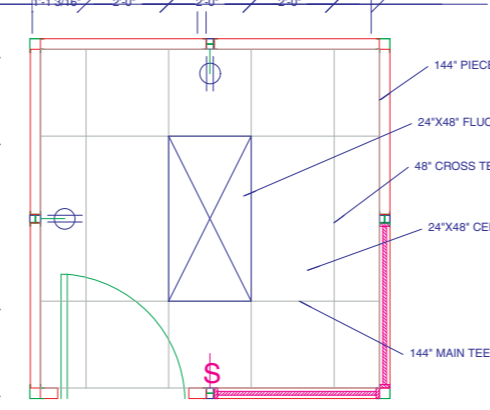
PANEL LAYOUT



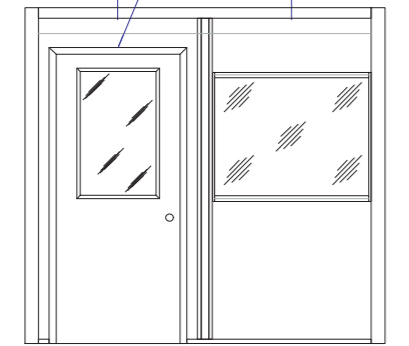
INTERIOR TOP CHANNEL LAYOUT



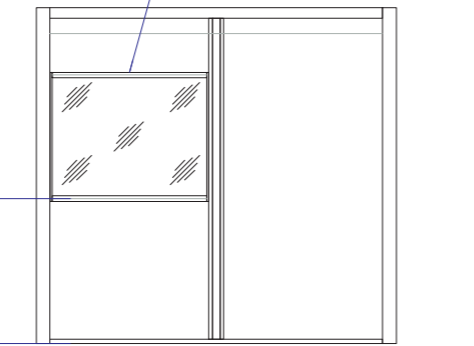
22 GA. B-DECK LAYOUT



REFLECTED CEILING LAYOUT



ELEVATION A



ELEVATION B



SAMPLE BINDER POST		PSAYNSETL-EBMULT	
JOB NUMBER: XXXX		8'x8' CATALOG IN-PLANT	
DATE: MM/DD/YY			
		REVISIONS	
REV. #	DESC.	DATE	
PAGE: 1 OF 2			