

ENGINEERING DATA SHEET

S-TILE

S-Tile ceiling panels offer the same absorption characteristics of Broadway panels in standard drop ceiling tile sizes and finishes. Ideal for use in boardrooms, offices, schools and commercial spaces, S-Tile are a perfect choice when standard wall mounted absorption panels may not be an option.

Constructed from 6lb per cubic foot rigid glass wool, S-Tile are fully encapsulated with a micromesh then covered in a bright white glass wool facing to blend with typical drop-ceiling applications. S-Tile have been tested to meet stringent Class-1 fire ratings, making them suitable for use in all residential and commercial spaces. Panels are available in two standard drop-in ceiling tile sizes, in both trim and reveal edge treatments for 15/16" (24mm) ceiling grids.

SPECIFICATIONS:

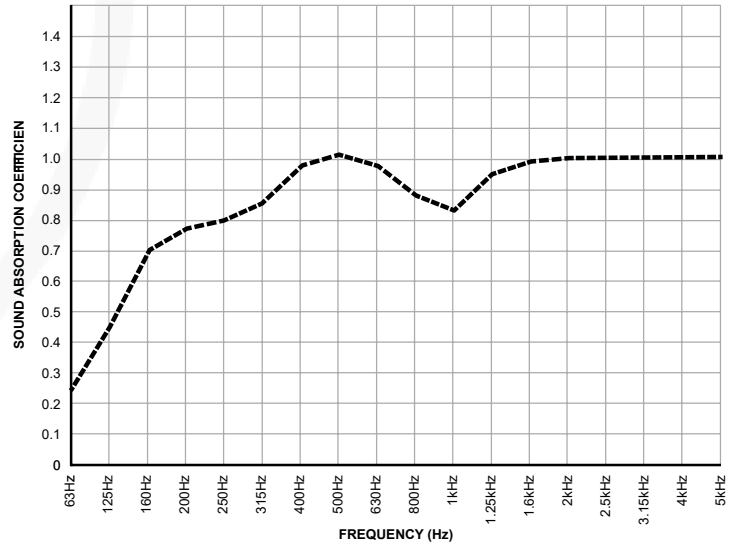
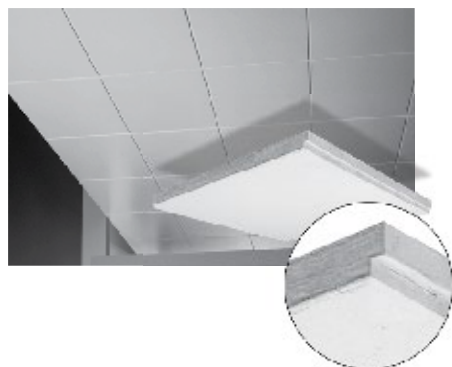
CORE MATERIAL	Formed, semi-rigid inorganic glass fibers
FACING	Glass wool tissue micromesh sealed with water based latex paint
BACKING	Foil
COLOR	Absolute White™, Black
GRID SPACING	15/16", T24 (24mm grid)
GRID SIZES	2' x 2' (61cm x 61cm) and 4' x 2' (122cm x 61cm)
NOISE REDUCTION COEFFICIENT	0.95
LIGHT REFLECTANCE	0.84
RECYCLED CONTENT	Up to 40%
LEED ELIGIBLE	Yes

ABSORPTION CHARACTERISTICS:*

Sound absorption coefficient data

PANEL DEPTH	125Hz	250Hz	500Hz	1kHz	2kHz	4kHz	NRC
3/4" (19mm) Depth	0.45	0.80	1.00	0.90	1.00	1.00	1.00

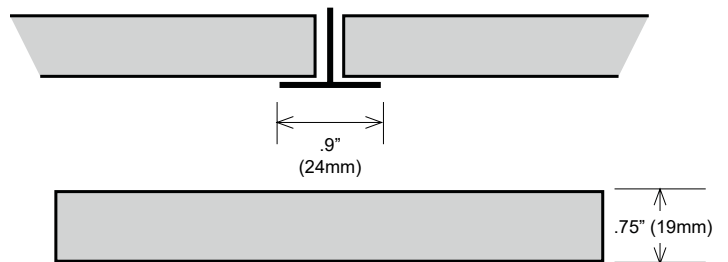
* Testing performed by Muller - BBM. The test method conform explicitly with the requirements of the ISO 354 measurement of sound absorption in a reverberation room and ISO 11654. Trim



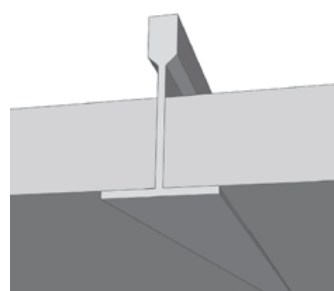
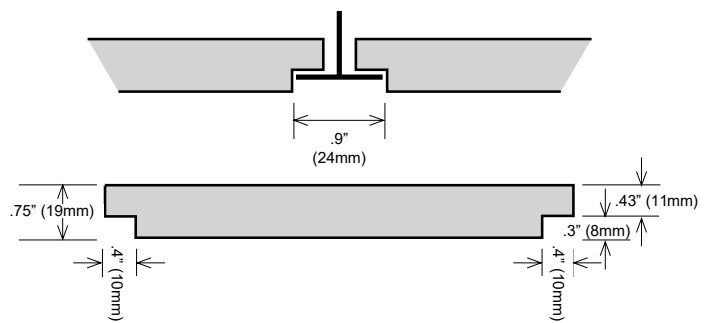
DIMENSIONS:

ORDER NO.	COLOR	SIZE	WEIGHT	DEPTH	EDGE	BOX QTY.
P210-2424-00	White	23.75" x 23.75" (603mm x 603mm)	1.9 lbs (0.9 kg)	0.75" (19mm)	Trim	12
P211-2424-00	White				Reveal1	2
P205-2424-00	BlackT	47.75" x 23.75" (1213mm x 603mm)	3.8 lbs (1.8 kg)	0.75" (19mm)	rim1	2
P210-2448-00	White				Trim	6
P205-2448-00	BlackT				rim6	

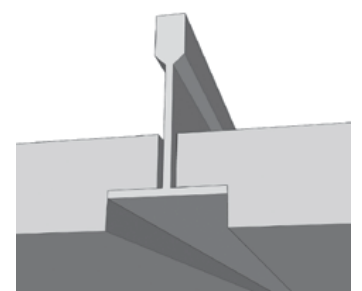
Trim edge treatment.



Reveal edge treatment.



Trim edge treatment.



Reveal edge treatment.